

# SLIDE RAIL COUPLING SRC-1½

To be used with  
2 HP grinder pumps



## LOCATION

This SRC-1½ is designed for wet wells, tanks, or lift stations where it is necessary to remove a pump from service and reinstall the pump without maintenance personnel entering the pit to unbolt the pump flanges.

## FEATURES

- ▶ 1½" NPT pump connection
- ▶ 2" NPT vertical discharge
- ▶ ¾" or 1" stainless steel guide rails (provided by installer)
- ▶ Stress-free rail system
- ▶ Durable cast iron base and lift-out flange
- ▶ Stainless steel pump adapter and guide plate

## STATIONARY ELBOW

Cast iron ASTM A-48 class 30

## MOVABLE FITTING

Ductile iron ASTM A-536

## GUIDE RAIL CAP

**Bracket:** 304 stainless steel

**Plugs:** ductile iron ASTM A-536-84

## HARDWARE

304 series stainless steel

## O-RINGS

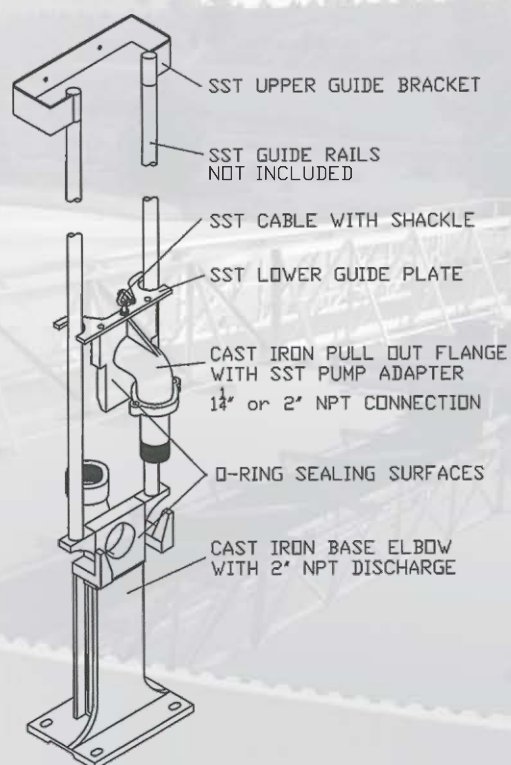
Buna-N, 70±5 Duro.

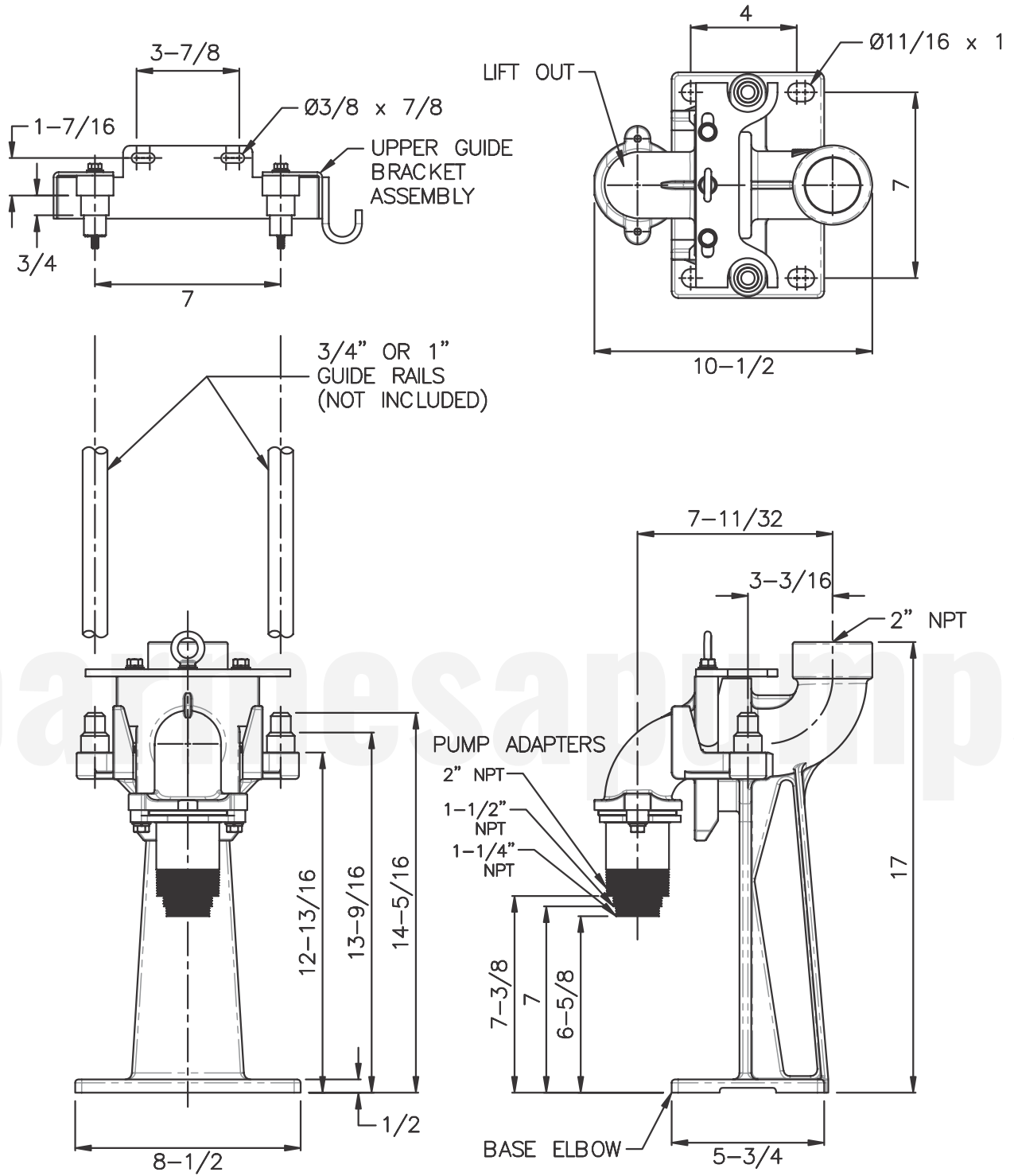
## GASKETS

Rubber

## PAINT

Air dry enamel, water based.





MODEL	PART No.	SIZE	RAILS	COUPLING	WEIGHT (pounds)
SRC150	62170804	1¼"	3/4" or 1"	w/ upper guide bracket	45