

# SUBMERSIBLE STAINLESS DEWATERING PUMP

**KLEIN** series

Discharge: 2"

Spherical solids handling: 0.23"

0.5, 1 & 2 HP / 3450 RPM



## DISCHARGE

2" (5.08 cm) NPT female, vertical, bolt on flange. Lost-wax casting 304 AISI stainless steel.

## LIQUID TEMPERATURE

104 °F (40 °C)

## PUMP CASING

304 AISI stainless steel

## MOTOR HOUSING

304 AISI stainless steel

## OIL CHAMBER

304 AISI stainless steel

## IMPELLER

**Design:** 8 vane, semi-open

**Material:** 304 AISI stainless steel

## SHAFT

304 AISI stainless steel

## HARDWARE

304 AISI stainless steel

## O-RINGS

Buna-N®

## SEAL

**Design:** dual, mechanical, oil filled chamber.

**Material:** upper part of carbon-ceramic, lower part silicon carbide. Stainless steel hardware.

## CORD ENTRY

32 ft of neoprene cord, sealed against moisture.

## BEARINGS

Ball, single row, permanently oil lubricated.

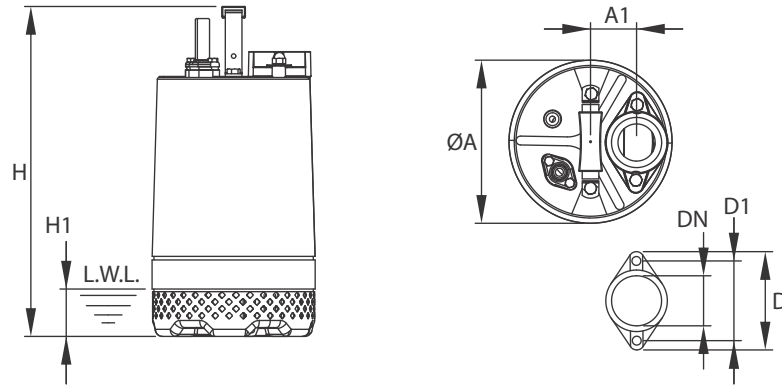
## MOTOR

Dry type submersible motor, 1 & 3 phase, 115 & 230V, 60 Hz, 3450 RPM. Insulation class B and IP68 protection class.

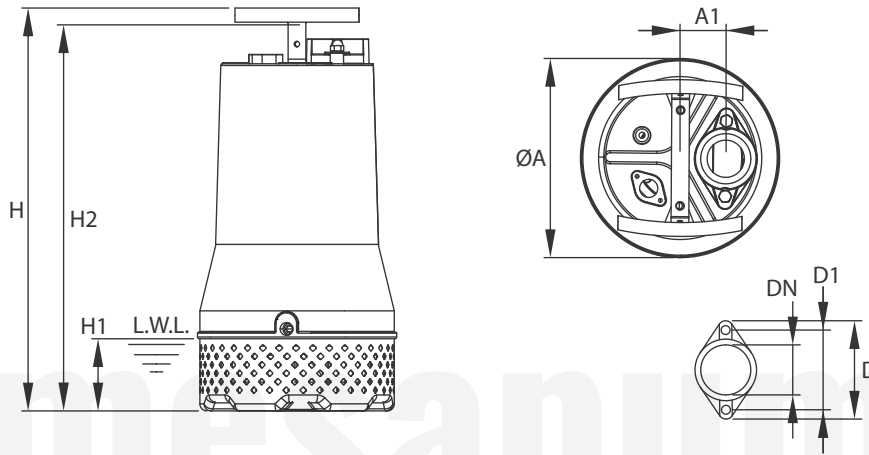
## HANDLE

304 AISI stainless steel and Buna-N®

▶ 0.5 - 1 HP



▶ 2 HP



HP	A	A1	D	D1	DN	H	H1	H2	WEIGHT (lb)
0.5	7.4	2.05	4.13	3.35	2"	13.58	2.05	-	31
1	7.4	2.05	4.13	3.35	2"	14.57	2.05	-	38
2	8.86	2.05	4.13	3.35	2"	17.91	3.19	17.17	55

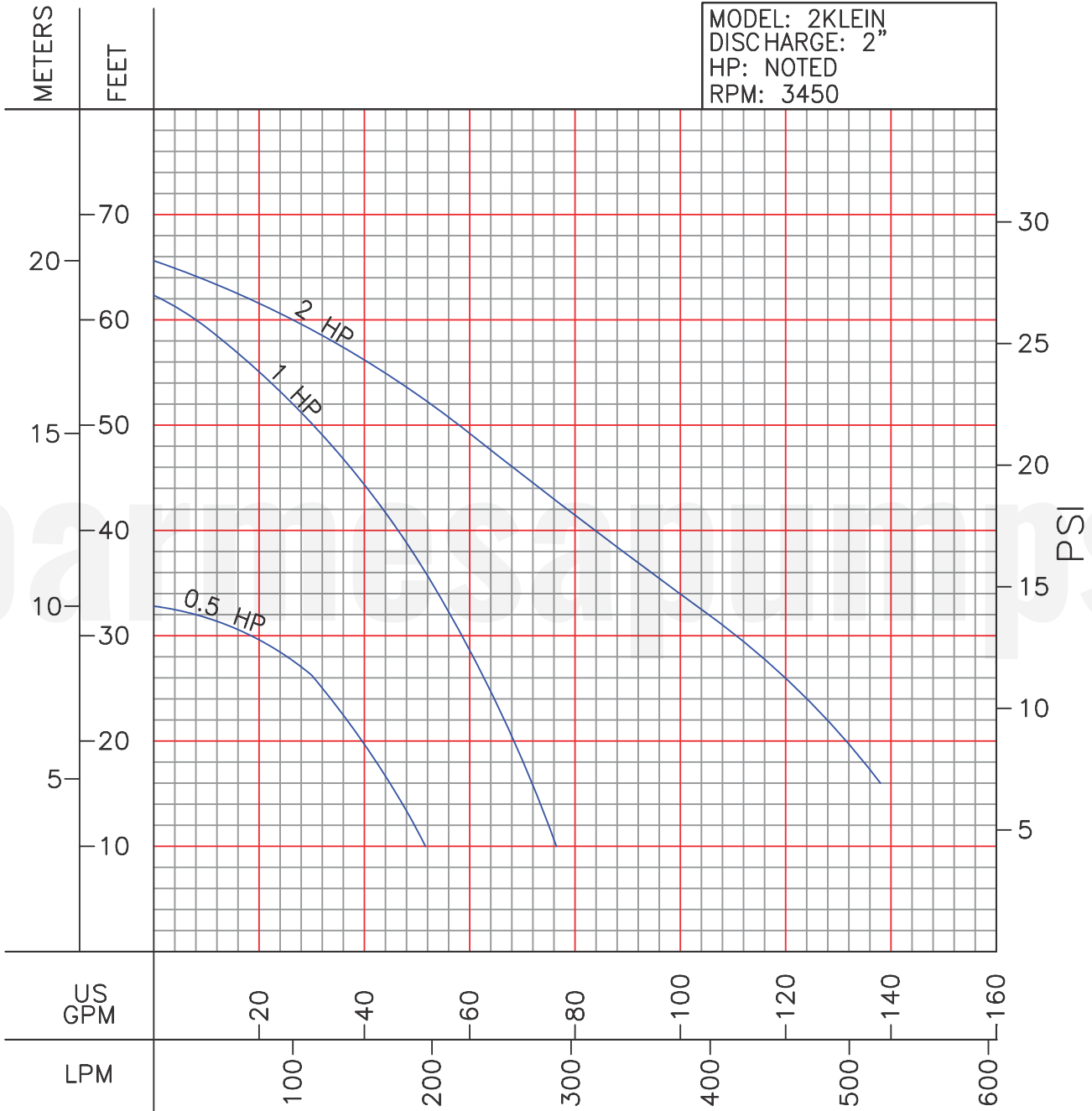
\* Weight without cord.  
 - Dimensions in inches.  
 - L.W.L.: lowest running water level.

MODEL	PART No.	HP	VOLTS	PH	AMPS	RATED RPM	RATED		MAX.	
							ft	GPM	ft	GPM
2KLEIN-051	70090121	0.5	115	1	6.6	3450	26	30	33	61
2KLEIN-101	70090123	1	115	1	12	3450	33	55	62.4	82
2KLEIN-102	70090124	1	230	1	6	3450	33	55	62.4	82
2KLEIN-202	70090125	2	230	1	13	3450	43	80	65.5	153
2KLEIN-203	70090127	2	230	3	8	3450	43	80	65.5	153
2KLEIN-204	70090128	2	460	3	4	3450	43	80	65.5	153

**IMPORTANT!**

1. Never use this pump to handle explosive liquids.
2. This pump is not approved to be used in swimming pools, recreational installations or any application where human contact may be common.

PERFORMANCE CURVES



**IMPORTANT!**

1. Testing is performed with water specific gravity of 1.0 @ 68 °F (20 °C); other fluids may vary performance.