

END-SUCTION CENTRIFUGAL PUMPS

Series: IC1½
1.5 - 7.5 HP / 3500 RPM
1 & 3 phases



SUCTION

1½" NPT horizontal

DISCHARGE

1½" NPT vertical

BODY

Cast iron ASTM A-48 class 30

INTERMEDIATE COUPLING

Cast iron ASTM A-48 class 30

IMPELLER

Design: 4 vanes, closed, statically balanced.

Material: Noryl®

SEAL

Design: mechanical, type 01.

Material: Ceramic stationary part, carbon ring seal and exclusion in the rotating part. Buna-N elastomer and stainless steel spring.

SHAFT

Stainless steel

SHAFT SLEEVE

Stainless steel

O-RINGS

Buna-N

MOTOR

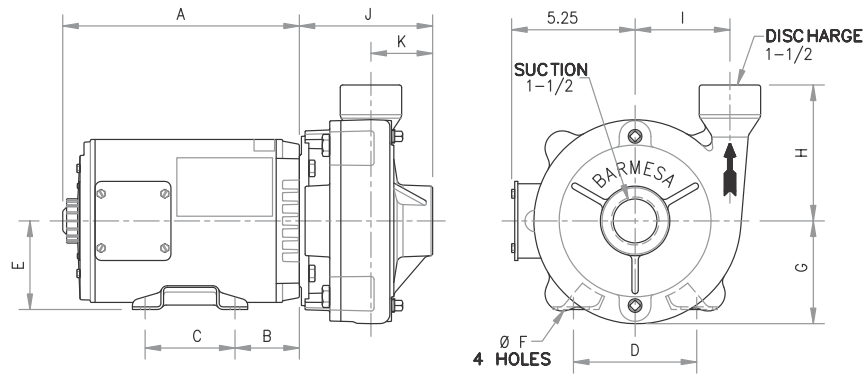
High quality premium efficiency TEFC electric motors, designed & developed in accordance with industry standards for industrial and commercial pumping applications.

HARDWARE

Carbon steel

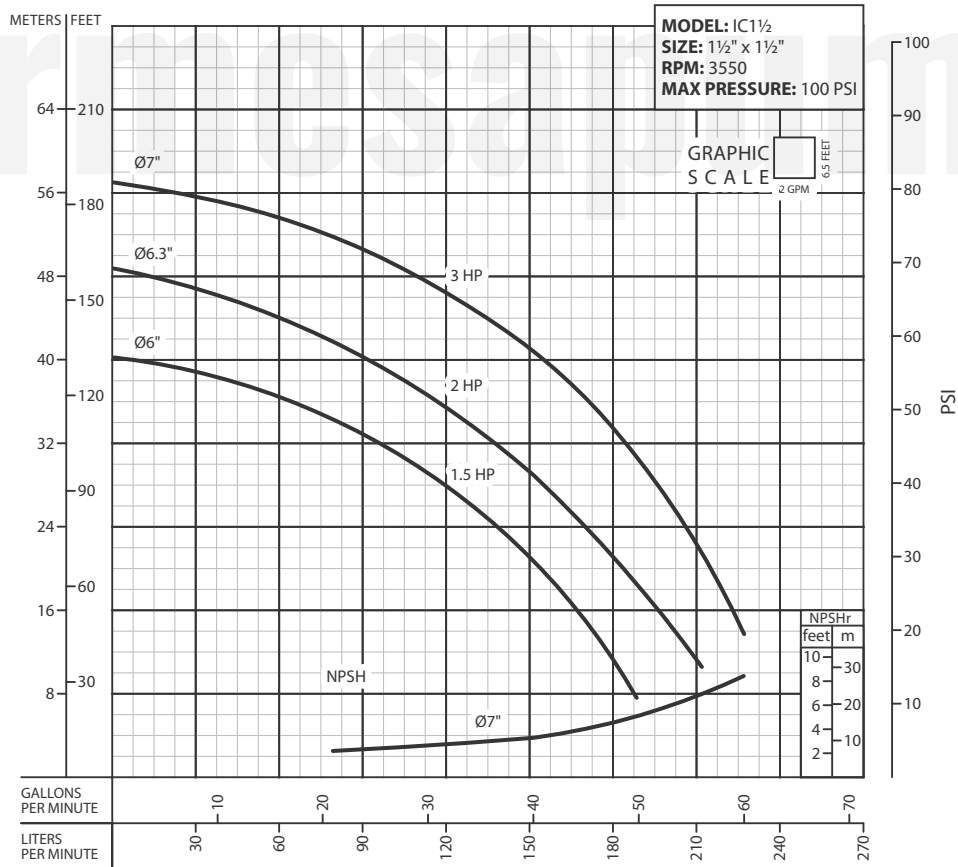
PAINT

Air dry enamel, water based.



MODEL	PART No.	SIZE	HP	PHASE	ENCL.	FRAME	A	B	C	D	E	Ø F	G	H	I	J	K	
IC1½-1.5-2	62071509	1½" x 1½"	1.5	3	TEFC	-	-	-	-	-	-	-	-	-	-	-	-	
IC1½-1.5-2-1	62071510		1.5	1		-	-	-	-	-	-	-	-	-	-	-	-	-
IC1½-2-2	62071511		2	3		-	-	-	-	-	-	-	-	-	-	-	-	-
IC1½-2-2-1	62071512		2	1		-	-	-	-	-	-	-	-	-	-	-	-	-
IC1½-3-2	62071513		3	3		-	-	-	-	-	-	-	-	-	-	-	-	-
IC1½-3-2-1	62071514		3	1		-	-	-	-	-	-	-	-	-	-	-	-	-
IC1½-5-2-1	-		5	1		-	-	-	-	-	-	-	-	-	-	-	-	-
IC1½-7.5-2-1	-		7.5	1		-	-	-	-	-	-	-	-	-	-	-	-	-

All dimensions are in inches, and may vary depending on the motor manufacturer.



IMPORTANT!

1. Never use this pump to handle explosive liquids.
2. This pump is not approved to be used in swimming pools, recreational installations or any application where human contact may be common.
3. Testing is performed with water specific gravity of 1.0 @ 68 °F (20 °C); other fluids may vary performance.