

END-SUCTION CENTRIFUGAL PUMPS

Series: **IC1¼**

1 - 3 HP / 3500 RPM

Suction: 1½" NPT

Discharge: 1¼" NPT



* Representative image

APPLICATIONS

- ▶ Booster systems
- ▶ Water transfer
- ▶ Chilled water system
- ▶ High flow-rate / medium pressure

VOLUTE

Cast iron ASTM A-48 class 30

INTERMEDIATE COUPLING

Cast iron ASTM A-48 class 30

IMPELLER

Design: 5 vanes, closed, statically balanced.

Material: cast iron ASTM A-48 class 30

SEAL

Design: mechanical, type 01.

Material: ceramic stationary part, carbon ring seal and exclusion in the rotating part. Buna-N elastomer and stainless steel spring.

SHAFT SLEEVE

Stainless steel

O-RINGS

Buna-N

MOTOR

High quality premium efficiency TEFC electric motors, designed & developed in accordance with industry standards for industrial and commercial pumping applications.

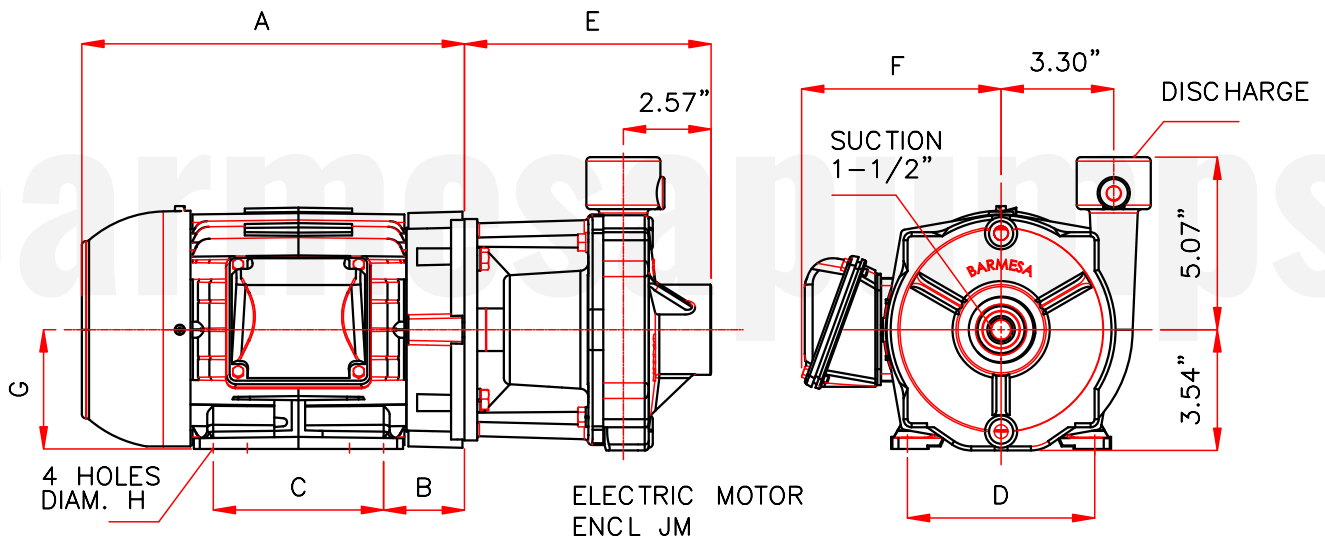
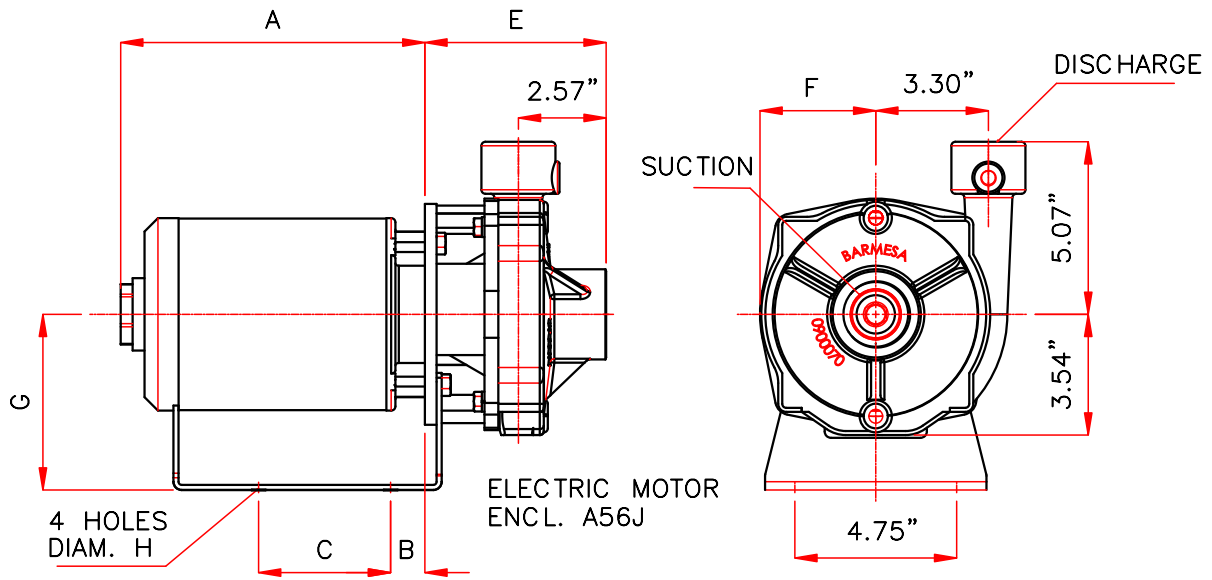
- ▶ 1 & 3 phases, 60 Hz
- ▶ Rated output: 1 to 3 HP
- ▶ 3500 RPM

HARDWARE

Carbon steel

PAINT

Air dry enamel, water based.

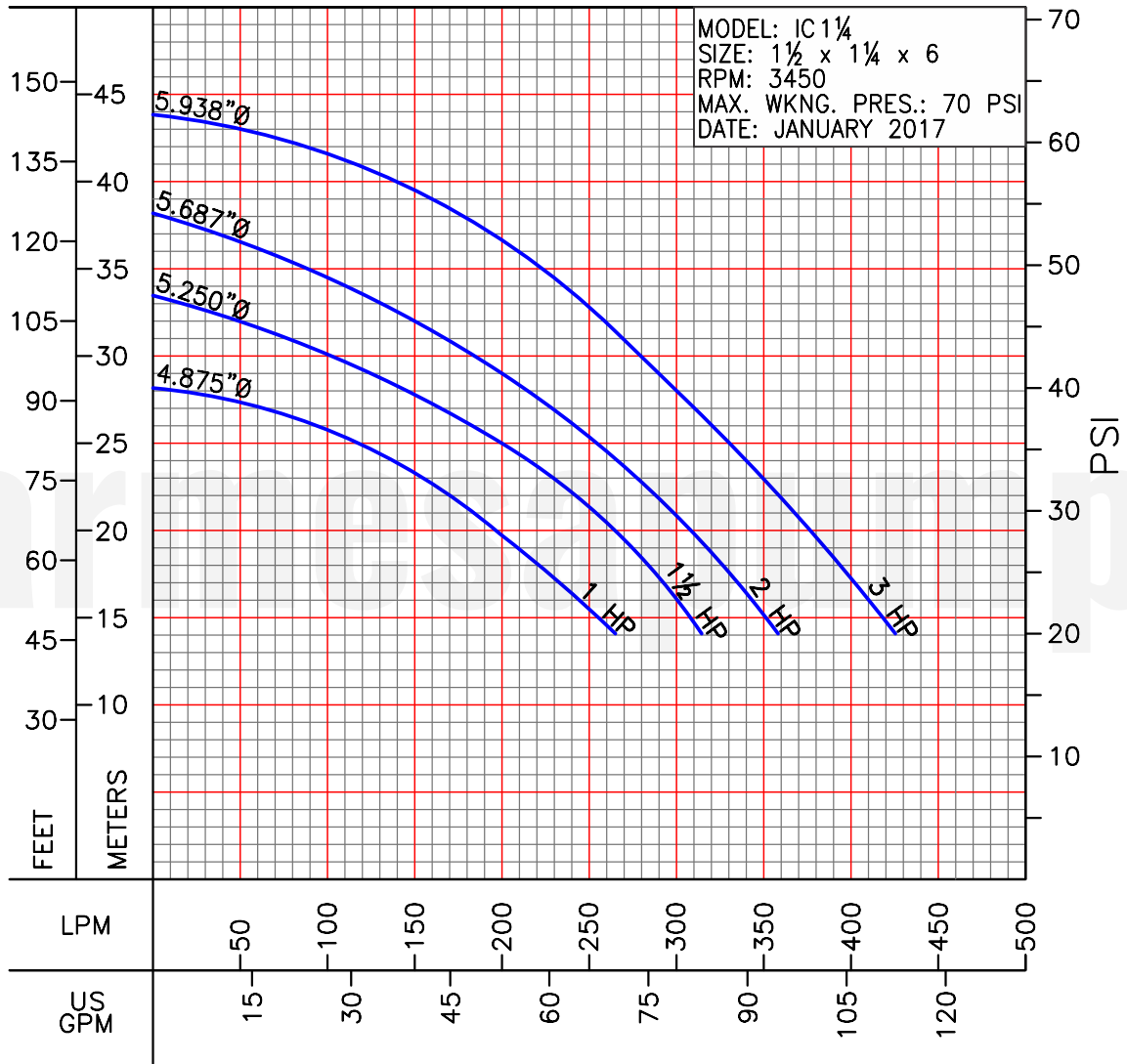


PART No.	MODEL	HP	PHASE	ENCL.	ENCL.	A	B	C	D	E	F	G	H
62071502	IC1¼-1-2	1	1	A56	TEFC	9.82	2.57	3.00	4.88	5.32	5.32	3.48	0.34
62071504	IC1¼-1.5-2	1.5	1	A56		10.1	1.01	3.88	4.75	5.32	3.40	5.16	0.43
62071506	IC1¼-2-2	2	1	A56	TEFC	11.3	1.01	3.88	4.75	5.32	3.40	3.57	0.31
62071508	IC1¼-3-2	3	1	182JM		11.2	3.50	4.50	7.50	7.24	6.71	4.50	0.41
62071501	IC1¼-1-2	1	3	A56	TEFC	9.29	1.01	3.88	4.75	5.32	5.41	5.16	0.43
62071503	IC1¼-1.5-2	1.5	3	A56	TEFC	12.2	2.55	3.00	4.88	5.32	5.41	3.47	0.35
62071505	IC1¼-2-2	2	3	A56	TEFC	9.91	1.01	3.88	4.75	5.32	5.41	5.16	0.43
62071507	IC1¼-3-2	3	3	182JM		11.2	2.37	5.00	5.50	7.24	5.87	3.50	0.34

IMPORTANT!

1. Never use this pump to handle explosive liquids.
2. This pump is not approved to be used in swimming pools, recreational installations or any application where human contact may be common.

SPECIFICATIONS



1. Testing is performed with water specific gravity of 1.0 @ 68 °F (20 °C); other fluids may vary performance.