

SUBMERSIBLE SEWAGE PUMP W/ CUTTER PLATE

Series: **Roto-Blade**
(CUT303 & CUT304)
3 HP / 1750 RPM
Discharge: 4"



DISCHARGE

4", 125 lb, flange horizontal.

LIQUID TEMPERATURE

104 °F (40 °C) continuous

VOLUTE

Cast iron ASTM A-48 class 30

MOTOR HOUSING

Cast iron ASTM A-48 class 30

IMPELLER

Cast iron ASTM A-48 class 30. Unique tungsten carbide tipped impeller and high chrome serrated cutter plate for slicing of solids.

SUCTION PLATE

Ductile iron ASTM A536

SHAFT

AISI 410 series stainless steel

HARDWARE

Stainless steel

O-RINGS

Buna-N

PAINT

Air dry enamel, water based.

SEAL

Design: double mechanical, oil lubricated.

Material: silicon carbide outboard, carbon ceramic inboard seal, with stainless steel hardware.

CORD ENTRY

40 ft of neoprene cord STOW, UL, 14 AWG x 4C, sealed against moisture.

BEARINGS

Ball, single row and oil lubricated.

MOTOR

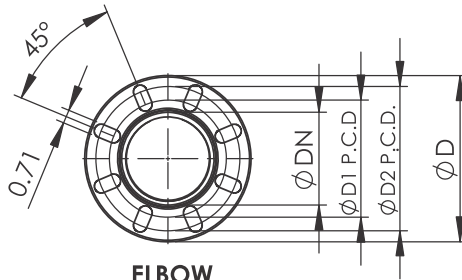
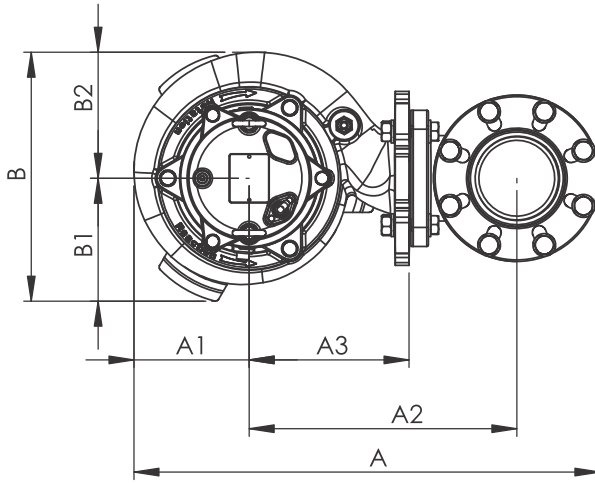
Three phase, 230 & 460 V, 1750 RPM, 60 Hz. Air-filled watertight, built-in overload, IP 68 protection and class F insulation.

ACCESSORIES

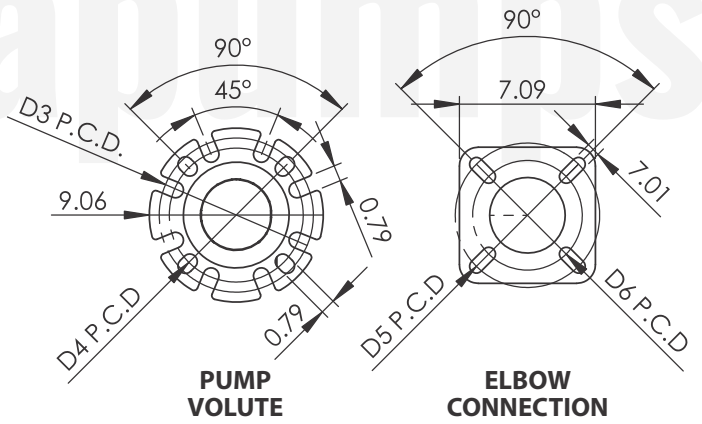
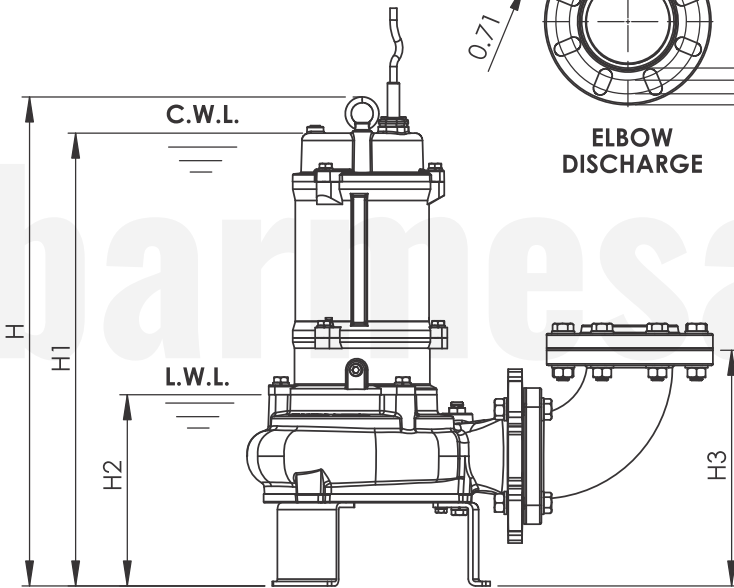
Includes discharge elbow

OPTIONAL EQUIPMENT

Slide rail coupling (QDC-4)



PIPE COECON TYPE	
PT	NPT



C.W.L.: Continuous Running Water Level
 L.W.L.: Lowest Running Water Level
 (Most effective motor heat dissipation when fully submerged)

A	A1	A2	A3	B	B1	B2	DN	D	D1
24.2	6.0	13.9	8.3	13.0	6.4	6.6	4	8.7	7.5

D2	D3	D4	D5	D6	H	H1	H2	H3	WT
6.1	7.5	6.9	7.5	5.7	25.3	23.5	10.0	13.6	165

- Dimensions in inches.
- Weight in pounds, without the cable.

IMPORTANT!

1. Never use this pump to handle explosive liquids.
2. This pump is not approved to be used in swimming pools, recreational installations or any application where human contact may be common.

MODEL	CUT303 / CUT304									RATED	
FREQUENCY	60 Hz								HEAD	26.2 ft	8 m
DISCHARGE	4 INCHES / 100 mm								CAPACITY	185 GPM	700 LPM
OUTPUT	3 HP / 2.2 kW								POLE / RPM	4 P / 1750 RPM	
PHASE/VOLTAGE	3Ø	208 V	220 V	230 V	380 V	400 V	440 V	460 V	START METHOD	DIRECT ON LINE	
F.L.A.	A	9.3	9.2	9	5	4.9	4.5	4.5	INSULATION CLASS	CLASS F	

