

# SELF-PRIMING CLOSE COUPLED PUMPS

Series: BSP25CCE  
15 HP / 3500 RPM  
Suction & Discharge: 3"  
Spherical solids handling: 3/4"



Approved for Marine use and  
Commercial / Industrial applications.

## SUCTION/DISCHARGE

3" NPT, female.

## LIQUID TEMPERATURE

**Continuous:** 160 °F (71 °C)

## INTERMEDIATE

Cast iron ASTM A-48 class 30

## VOLUTE

Cast iron ASTM A-48 class 30

## BODY

Cast iron ASTM A-48 class 30

## BASE

Steel

## IMPELLER

**Design:** open, trash type, dynamically balanced.

**Material:** cast iron ASTM A-48 class 30

## SHAFT

1035 cold rolled steel

## SHAFT SLEEVE

Bronze

## HARDWARE

Steel & stainless steel

## SQUARE RING

Buna-N

## PAINT

Air dry enamel, water based.

## SEAL

**Design:** mechanical, self lubrication.

**Material:** ceramic stationary part, carbon ring seal and exclusion in the rotating part. Buna-N elastomer and stainless steel spring.

## CHECK VALVE

**Valve:** flap-neoprene

**Weight:** steel

## MOTOR

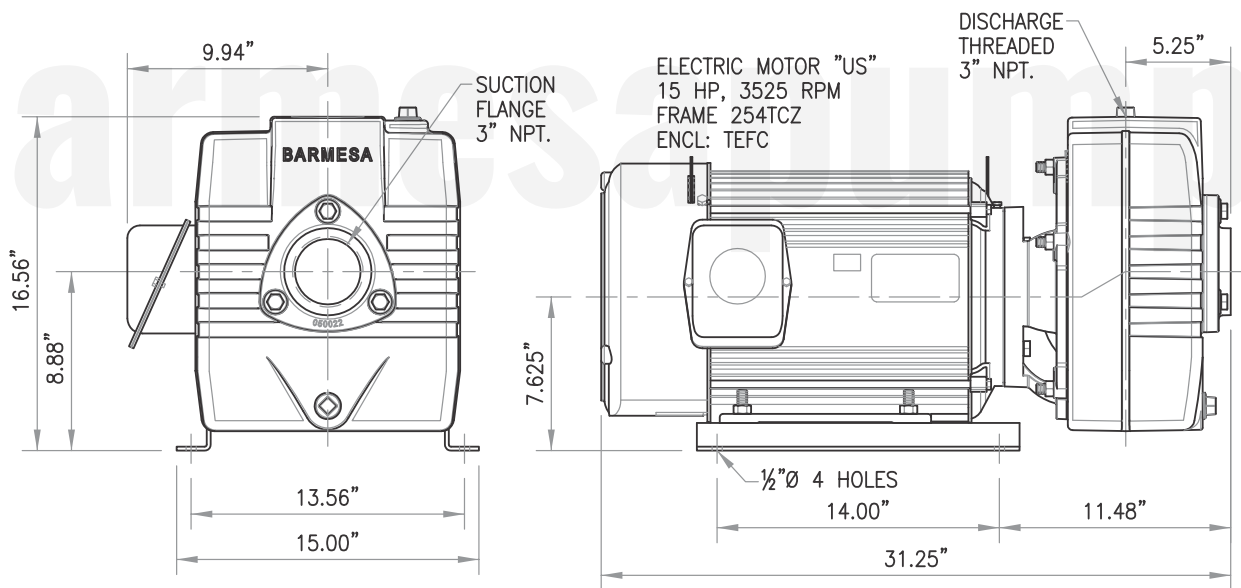
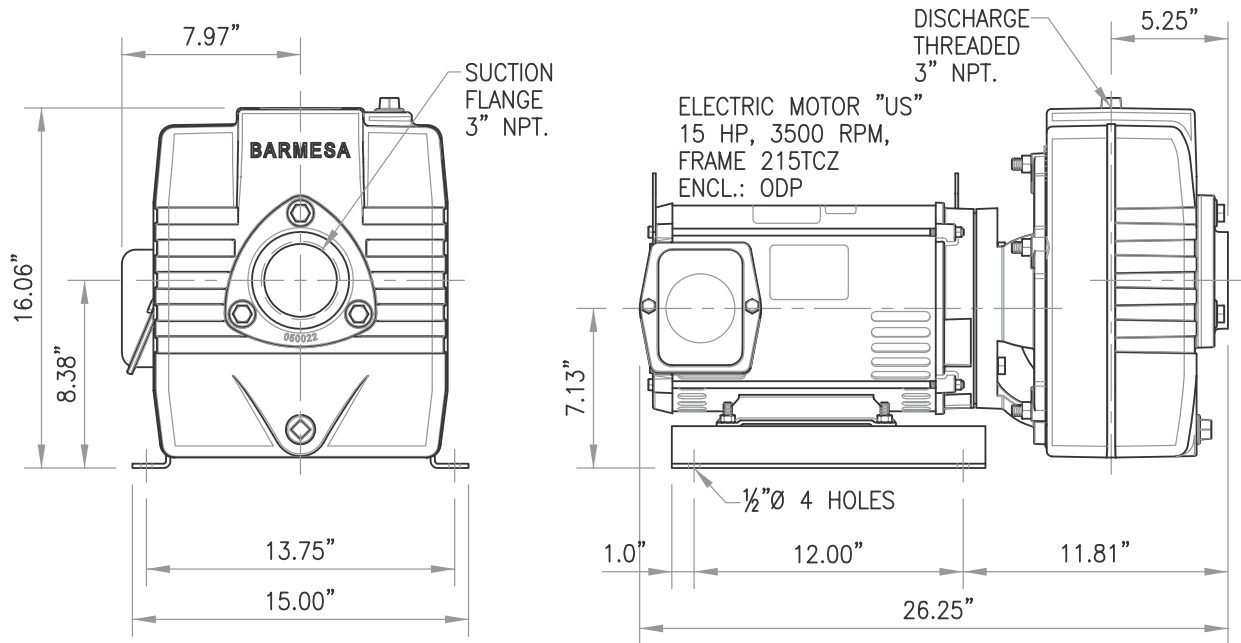
**Open Drip Proof** or **TEFC**, C-face, footed, squirrel cage induction, class B or F insulation.

**Three phase:** 230/460 volts, 60 Hz, 3500 RPM

## OPTIONAL

Bronze fitted volute and impeller

# DIMENSIONAL DRAWING SELF PRIMING PUMP BSP25CCE

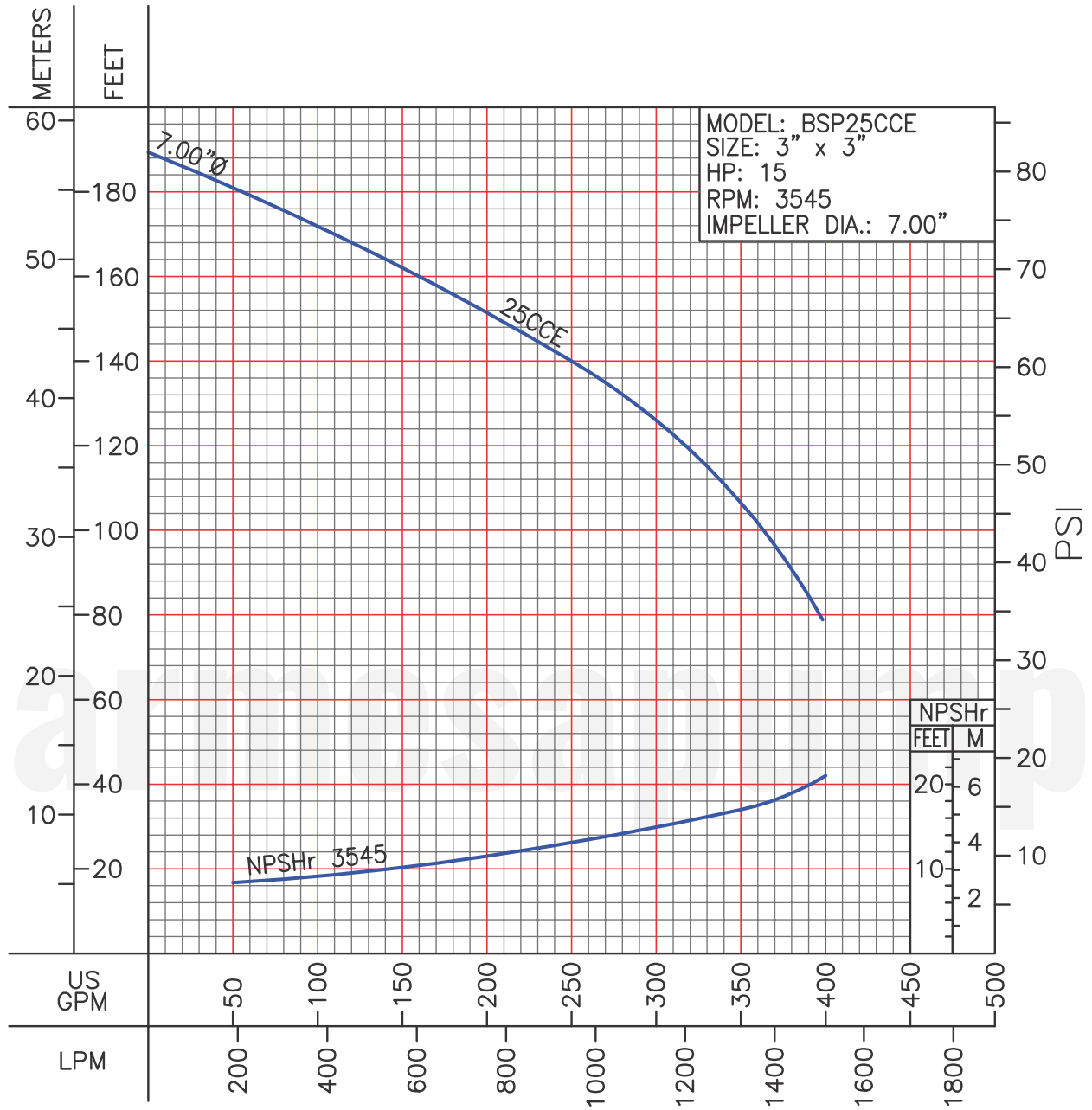


MODEL	PART No.	HP	PHASE	VOLTS	ENCLOSURE	RPM (Nominal)	MAX AMPS	WEIGHT (pounds)
BSP25CCE3	-	15	3	230/460	ODP	3450	44-40/20	322
BSP25CCE3-T	-	15	3	230/460	TEFC	3450	38-35/17.5	341
BSP25CCE3-BF	-	15	3	230/460	ODP	3450	44-40/20	322
BSP25CCE3-TBF	-	15	3	230/460	TEFC	3450	38-35/17.5	341

T = totally enclosed BF = bronze fitted TB = totally enclosed bronze fitted  
 \* Overall dimensions of unit and amps is subject to the motor manufacture.

**IMPORTANT!**

- Never use this pump to handle explosive liquids.
- This pump is not approved to be used in swimming pools, recreational installations or any application where human contact may be common.



\*BSPCCE series pumps are approved for Marine use and Commercial / Industrial applications.

**IMPORTANT!**

1. Testing is performed with water specific gravity of 1.0 @ 68 °F (20 °C); other fluids may vary performance.