

# SELF-PRIMING CLOSE COUPLED PUMPS

Series: BSP20CCE  
10 HP / 3500 RPM  
Suction & Discharge: 3"  
Spherical solids handling: 3/4"



Approved for Marine use and  
Commercial / Industrial applications.

## SUCTION/DISCHARGE

3" NPT, female.

## LIQUID TEMPERATURE

**Continuous:** 160 °F (71 °C)

## INTERMEDIATE

Cast iron ASTM A-48 class 30

## VOLUTE

Cast iron ASTM A-48 class 30

## BODY

Cast iron ASTM A-48 class 30

## BASE

Steel

## IMPELLER

**Design:** open, trash type, dynamically balanced.

**Material:** cast iron ASTM A-48, class 30

## SHAFT

1035 cold rolled steel

## SHAFT SLEEVE

Bronze

## HARDWARE

Steel & stainless steel

## SQUARE RING

Buna-N

## PAINT

Air dry enamel, water based.

## SEAL

**Design:** mechanical, self lubrication.

**Material:** ceramic stationary part, carbon ring seal and exclusion in the rotating part. Buna-N elastomer and stainless steel spring.

## CHECK VALVE

**Valve:** flap-neoprene

**Weight:** steel

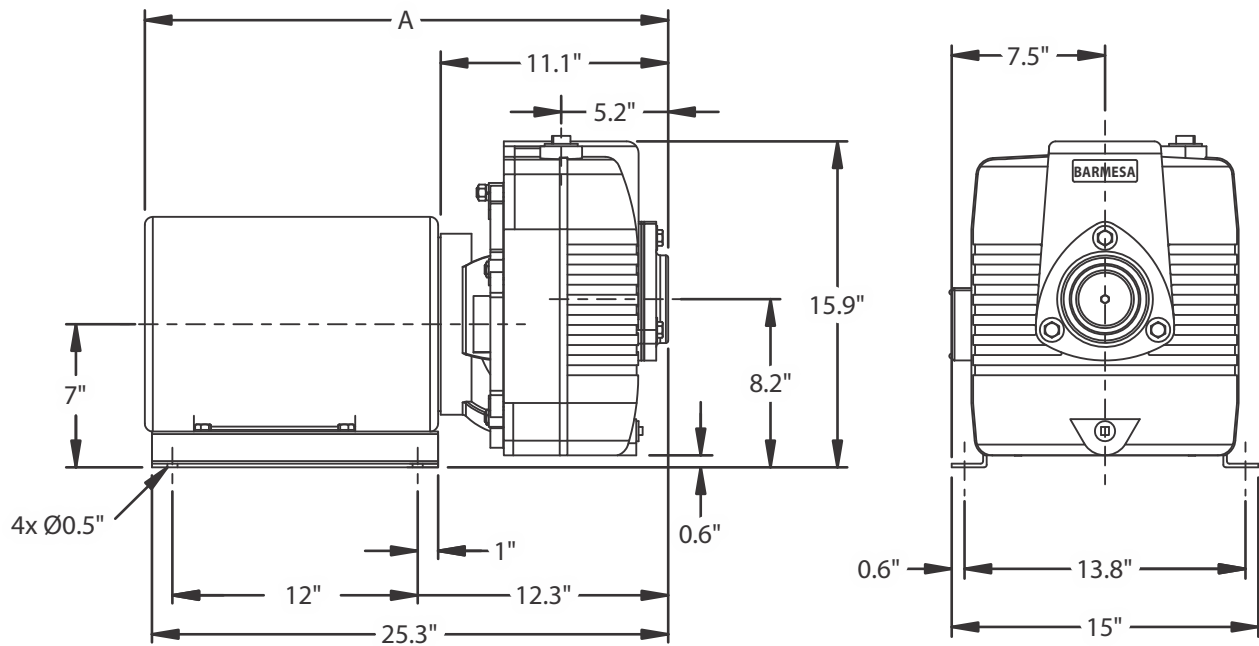
## MOTOR

**Open Drip Proof** or **TEFC**, C-face, footed, squirrel cage induction, class B or F insulation.

**Three phase:** 230/460 volts, 60 Hz, 3500 RPM.

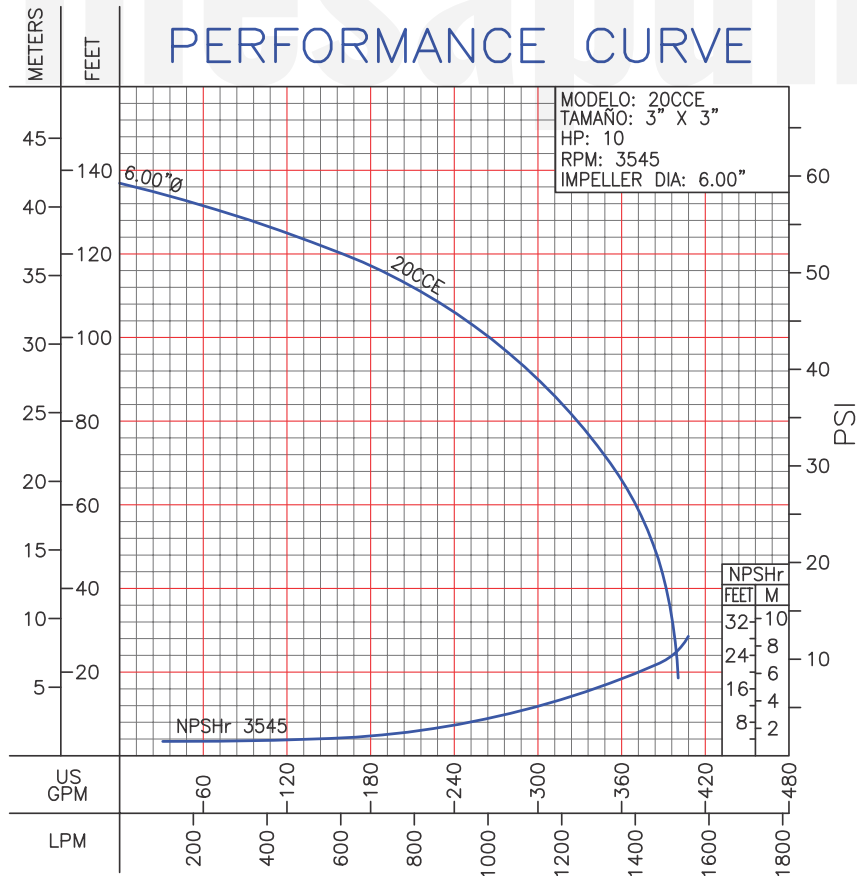
## OPTIONAL

Bronze fitted volute and impeller



MODEL	PART No.	HP	PHASE	VOLTS	ENCLOSURE	MAX AMPS	A (inches)	WEIGHT (pounds)
BSP20CCE3	62030010	10	3	230/460	ODP	25.2-24/12	24.79	294
BSP20CCE3-BF	62030112	10	3	230/460	ODP	25.2-24/12	24.79	294
BSP20CCE3-T	62030030	10	3	230/460	TEFC	25-23/11.5	26.36	301
BSP20CCE3-TBF	62030131	10	3	230/460	TEFC	25-23/11.5	26.36	301

T = totally enclosed BF = bronze fitted TB = totally enclosed bronze fitted  
 \* Overall length of unit and amps is subject to the motor manufacture.



**IMPORTANT!**

1. Never use this pump to handle explosive liquids.
2. This pump is not approved to be used in swimming pools, recreational installations or any application where human contact may be common.
3. Testing is performed with water specific gravity of 1.0 @ 68 °F (20 °C); other fluids may vary performance.