

END-SUCTION CENTRIFUGAL PUMPS

Series: BES4030HCU
4" x 3"
Universal Drive



SUCTION

4"

DISCHARGE

3" 125 lb. ANSI. It can be placed in 8 different locations depending on piping requirements.

LIQUID TEMPERATURE

180 °F (82 °C) continuous

BODY

Cast iron ASTM A-48, class 30, with air vent, vacuum pressure and drain plugs.

PEDESTAL

Cast iron ASTM A-48, class 30.

IMPELLER

Design: enclosed type, dynamically balanced, ISO G6.3.

Material: 304 stainless steel

SHAFT

Steel

SHAFT SLEEVE

Bronze

HARDWARE

Steel

WEARING

Bronze

PAINT

Air dry enamel, water based.

SEAL

Design: single, mechanical, water lubrication.

Material: carbon / Ni-Resist / Buna-N

BEARING-DRIVE END

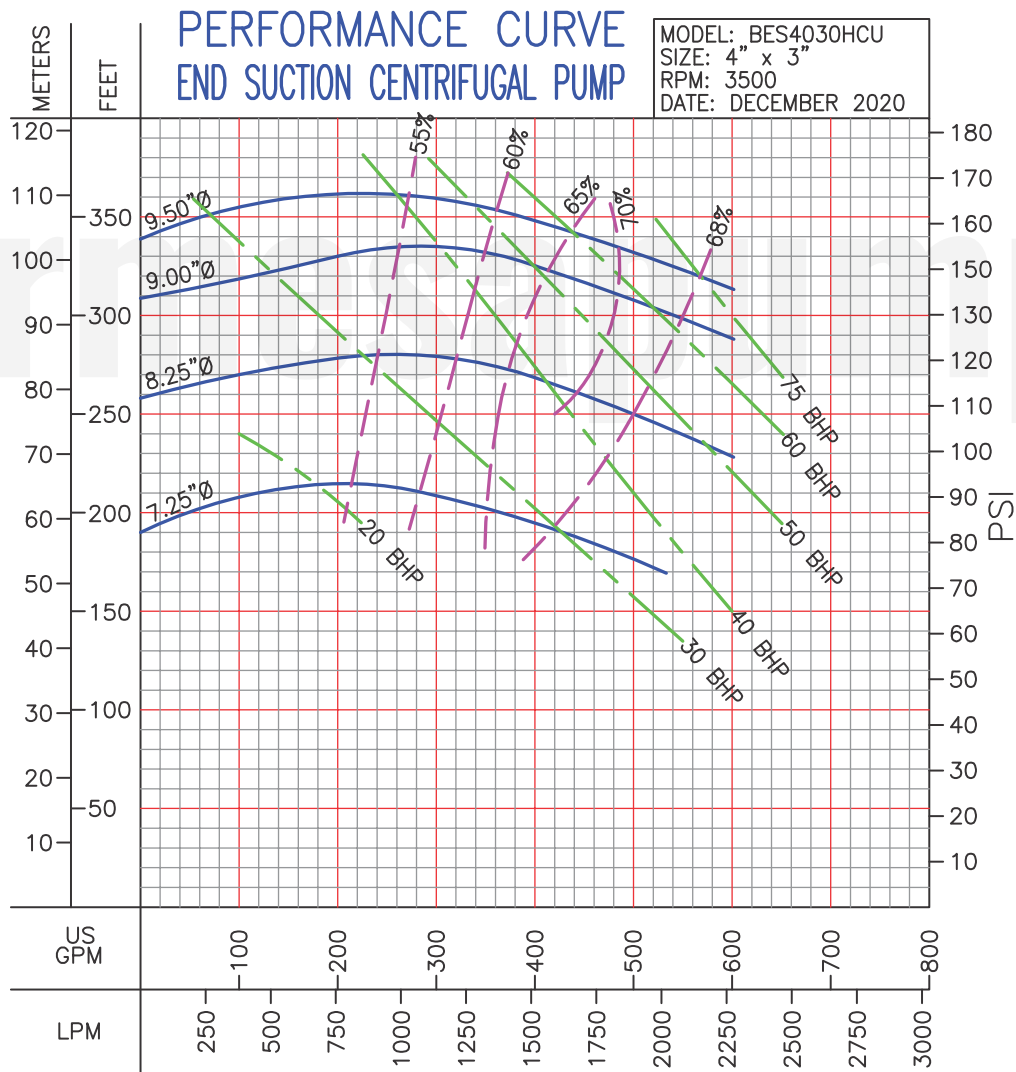
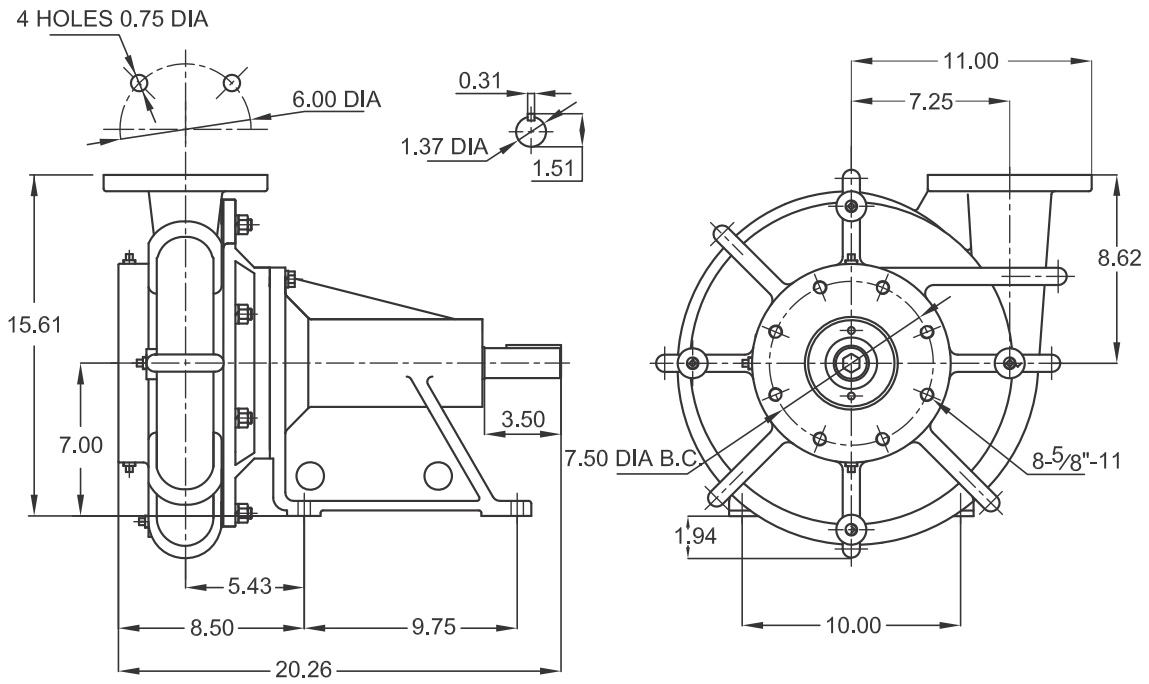
Double row, ball, pre-greased at factory load-radial & thrust.

BEARING-PUMP END

Single row, ball, pre-greased at factory load-radial & thrust.

WEIGHT

254 lb (115.2 kg)



LIQUID: WATER
 SPECIFIC GRAVITY: 1.00

TEMPERATURE: 70° F (21° C)

IMPORTANT!

1. Never use this pump to handle explosive liquids.
2. This pump is not approved to be used in swimming pools, recreational installations or any application where human contact may be common.
4. Testing is performed with water specific gravity of 1.0 @ 68° F (20° C); other fluids may vary performance.