

SUBMERSIBLE LIGHT SLURRY PUMP

Series: KAG
Model: 3KAG503 / 504
5 HP / 3450 RPM
Discharge: 3"



► Built-in high chrome alloy agitator.

DISCHARGE

3" vertical / horizontal hose coupling. Cast iron
ASTM A-48 class 30.

LIQUID TEMPERATURE

104 °F (40 °C)

UPPER COVER

Cast iron ASTM A-48 class 30.

PUMP BODY

Cast iron ASTM A-48 class 30.

MOTOR HOUSING

Cast iron ASTM A-48 class 30.

IMPELLER

Design: semi-open.

Material: high chrome alloy.

AGITATOR

High chrome alloy.

INLET PLATES

Ductile iron & high chrome alloy.

SHAFT

420 AISI stainless steel.

HARDWARE

304 series stainless steel.

O-RINGS

Nitrile rubber (NBR).

PAINT

Air dry enamel, water based.

SEAL

Design: double mechanical, oil filled chamber.

Material: SiC-SiC / Carbon-SiC. Stainless steel hardware. (SiC: Silicon Carbide)

CORD ENTRY

50 ft of neoprene cord, sealed against moisture.

MOTOR

Three phase induction motor, 230 & 460 volts, 60 Hz, 3450 RPM. Insulation class F and IP68 protection class.

STRAINER

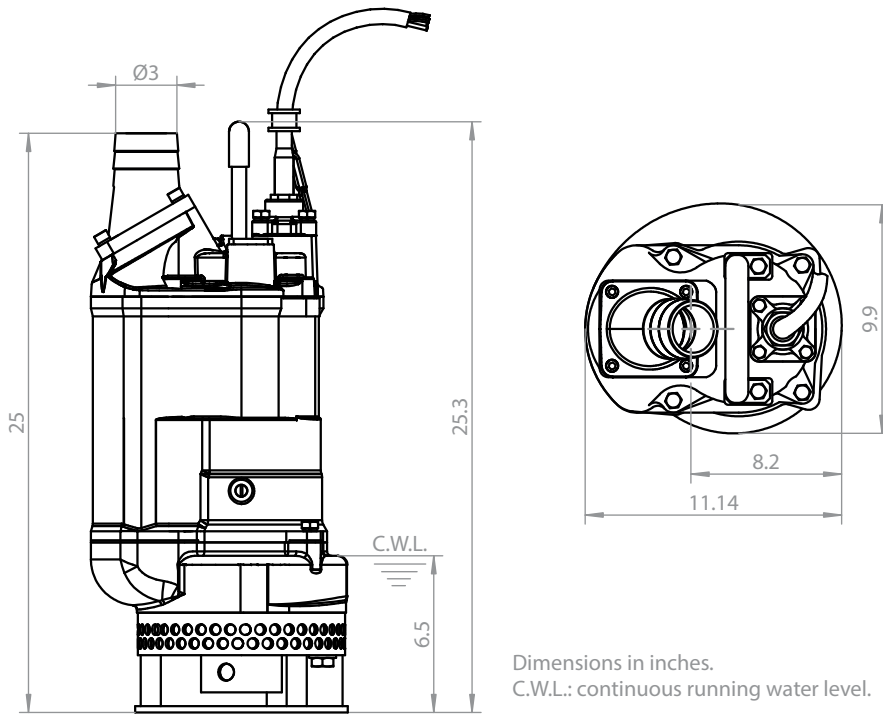
Steel.

HANDLE

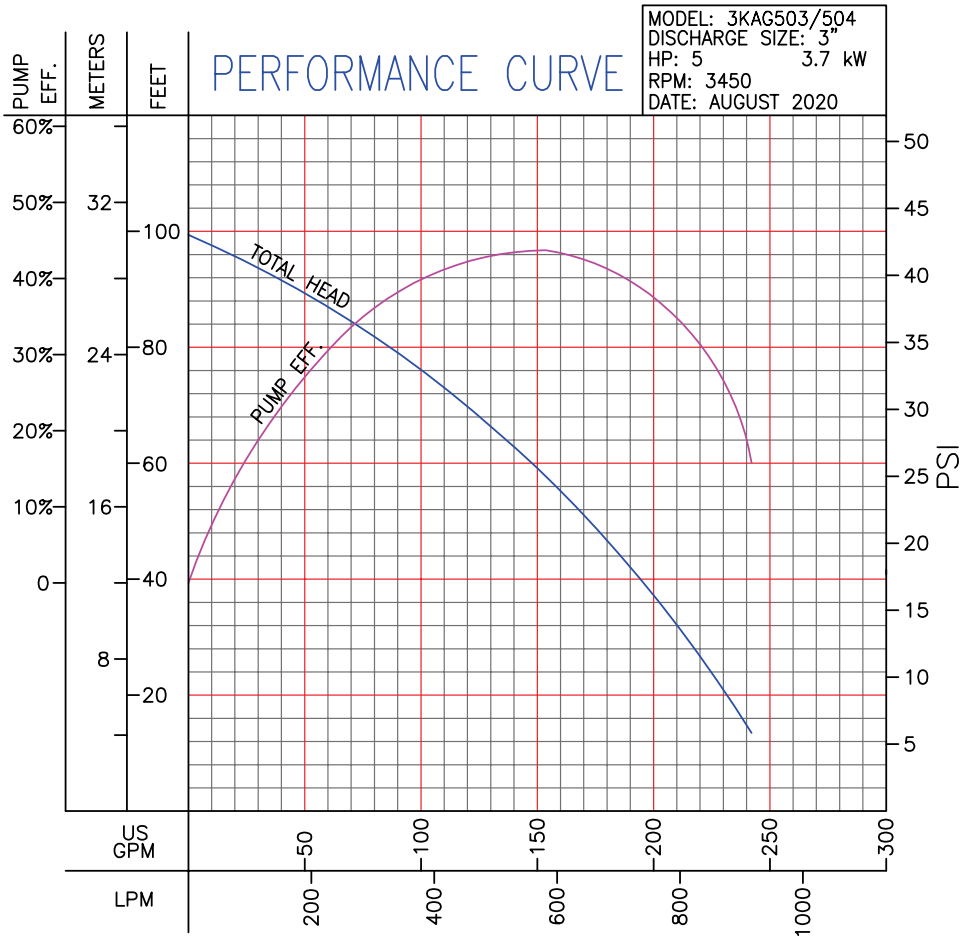
Rubber & steel.

ACCESSORIES

Includes a discharge adapter for NPT threads.



MODEL	PART No.	DISCHARGE	HP	VOLTS	PHASE	RPM (Nominal)	MAX AMPS	WEIGHT (pounds)
3KAG503	70090266	3	5	230	3	3450	13.2	141
3KAG504	70090267	3	5	460	3	3450	6.9	141



IMPORTANT!

1. Never use this pump to handle explosive liquids.
2. This pump is not approved to be used in swimming pools, recreational installations or any application where human contact may be common.
3. Testing is performed with water specific gravity of 1.0 @ 68 °F (20 °C); other fluids may vary performance.