

# SUBMERSIBLE EFFLUENT PUMP

Series: 2BEH-SS  
0.5 & 1 HP/ 3500 RPM  
Discharge: 2"  
Spherical solids handling: 3/4"



## DISCHARGE

2" NPT, vertical.

## LIQUID TEMPERATURE

104 °F (40 °C).

## VOLUTE

Cast iron ASTM A-48, class 30.

## MOTOR HOUSING

Cast iron ASTM A-48, class 30.

## SEAL PLATE

Cast iron ASTM A-48, class 30.

## IMPELLER

**Design:** 2 vane, open, with vanes on back side, dynamically balanced ISO G6.3.

**Material:** bronze 85-5-5.

## SHAFT

416 series stainless steel.

## HARDWARE

Stainless steel.

## SQUARE RINGS

Buna-N.

## PAINT

Air dry enamel, water based.

## SEAL

**Design:** inboard single mechanical, oil filled chamber.

**Material:** silicon carbide, Buna-N elastomer and stainless steel hardware.

## CORD ENTRY

15 ft of neoprene cord SJO 14/3, sealed against moisture.

## BEARINGS

**Upper:** ball, permanently oil lubricated, designed for radial load.

**Lower:** ball, permanently oil lubricated, designed for radial and axial loads.

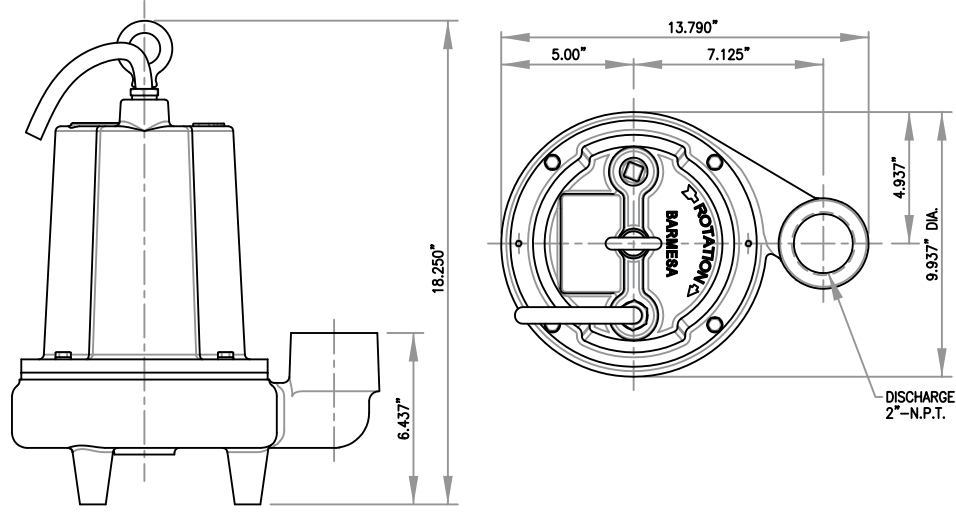
## MOTOR

**Single phase:** NEMA L, permanent split capacitor, 115 & 230 volts, 3500 RPM, oil filled, with overload protection in motor.

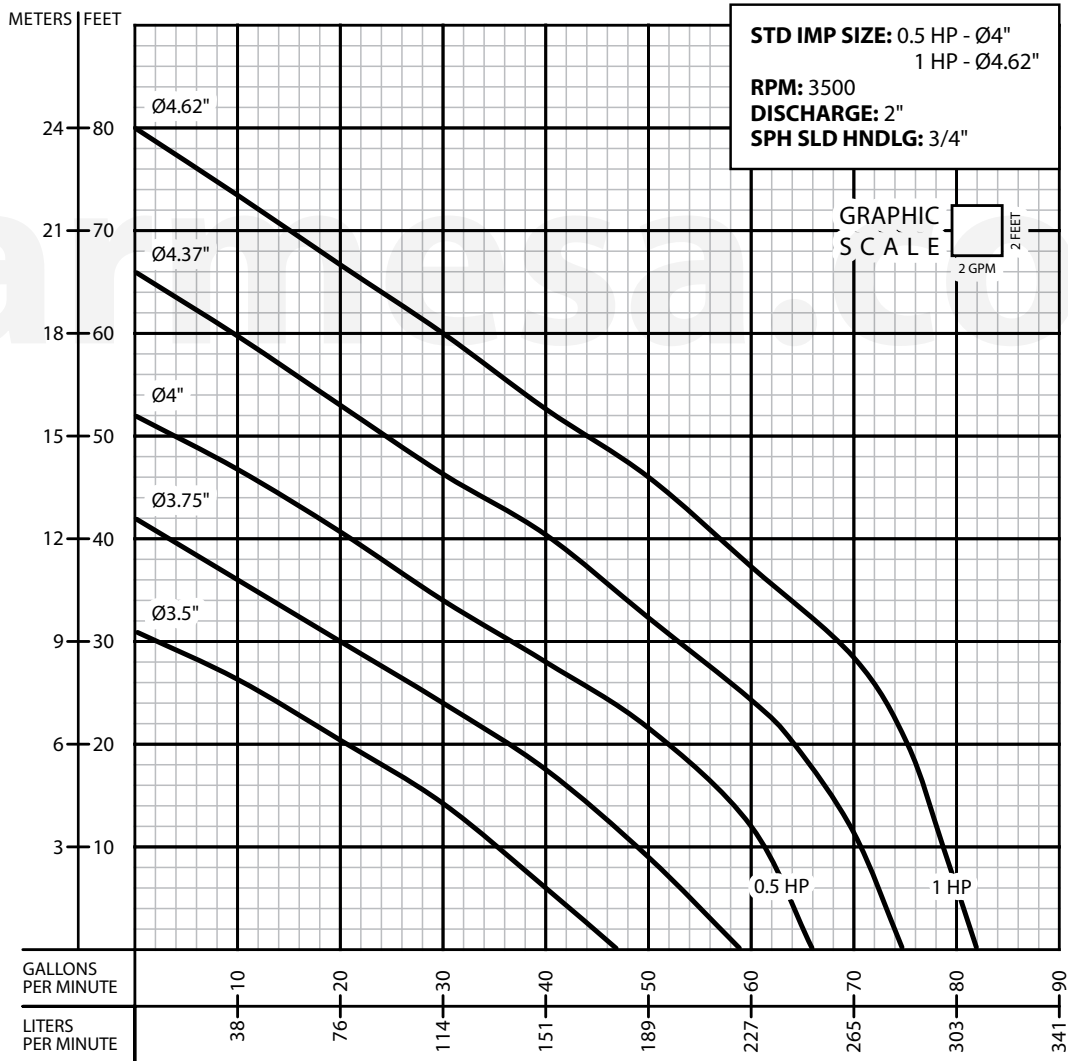
**Three phase:** NEMA B, 200/230 & 460 volts, 3500 RPM, oil filled. Requires overload protection to be included in control panel.

## OPTIONAL EQUIPMENT

Additional cord, tungsten carbide seal, slide rail coupling (SRC-2).



| MODEL     | PART No. | HP  | VOLTS   | PHASE | RPM (Nominal) | MAX AMPS | LOCKED ROTOR AMPS | NEMA CODE | CORD SIZE | CORD TYPE | CORD O. D. | WEIGHT (pounds) |
|-----------|----------|-----|---------|-------|---------------|----------|-------------------|-----------|-----------|-----------|------------|-----------------|
| 2BEH512SS | 62170651 | 0.5 | 115     | 1     | 3500          | 11       | 23                | F         | 14/3      | SJTOW     | 0.39"      | 82              |
| 2BEH102SS | 62170652 | 1   | 230     | 1     | 3500          | 8.2      | 13.8              | B         | 14/3      | SJTOW     | 0.39"      | 84              |
| 2BEH103SS | 62170653 | 1   | 200/230 | 3     | 3500          | 5.4      | 21.2              | K         | 12/4      | SOW       | 0.6"       | 84              |
| 2BEH104SS | 62170654 | 1   | 460     | 3     | 3500          | 2.8      | 20.7              | K         | 12/4      | SOW       | 0.6"       | 84              |



**IMPORTANT!**

1. Never use this pump to handle explosive liquids.
2. This pump is not approved to be used in swimming pools, recreational installations or any application where human contact may be common.
3. Pump may be operated "dry" for extended periods without damage to motor and/or seals.
4. Testing is performed with water specific gravity of 1.0 @ 68 °F (20 °C); other fluids may vary performance.