

# HIGH EFFICIENCY VERTICAL MULTISTAGE CENTRIFUGAL PUMP

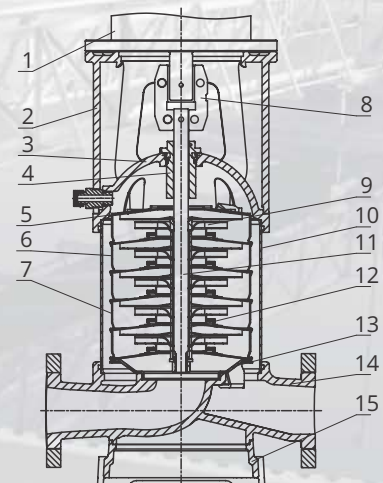
Series: **HMV45-60-753**  
7.5 HP

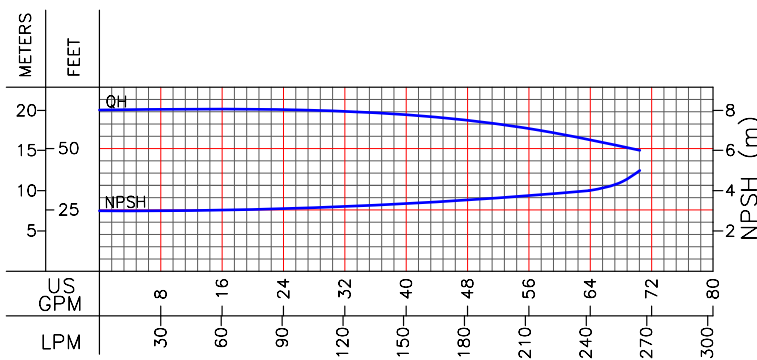
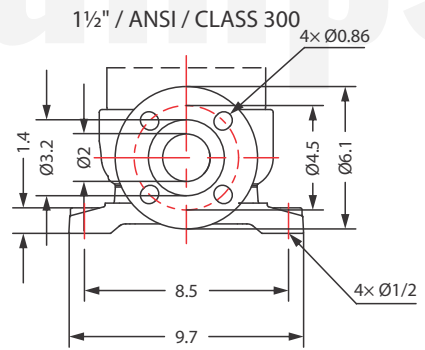
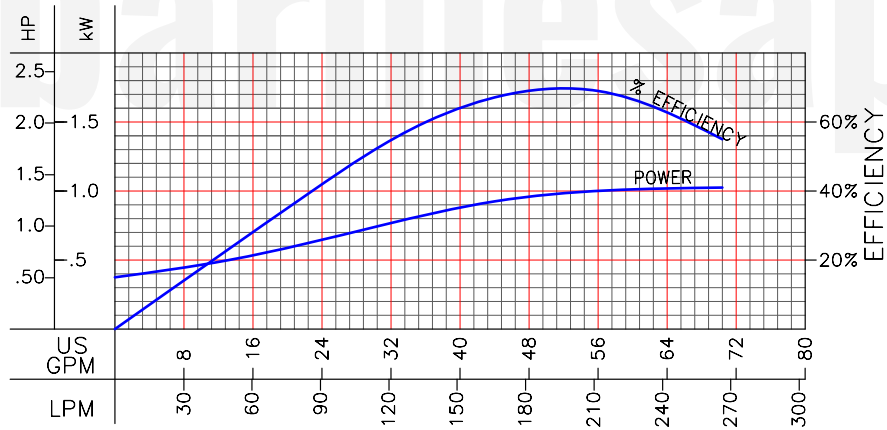
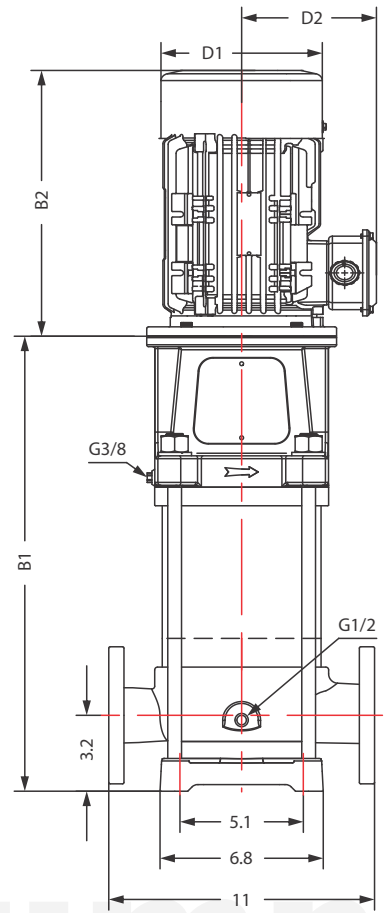
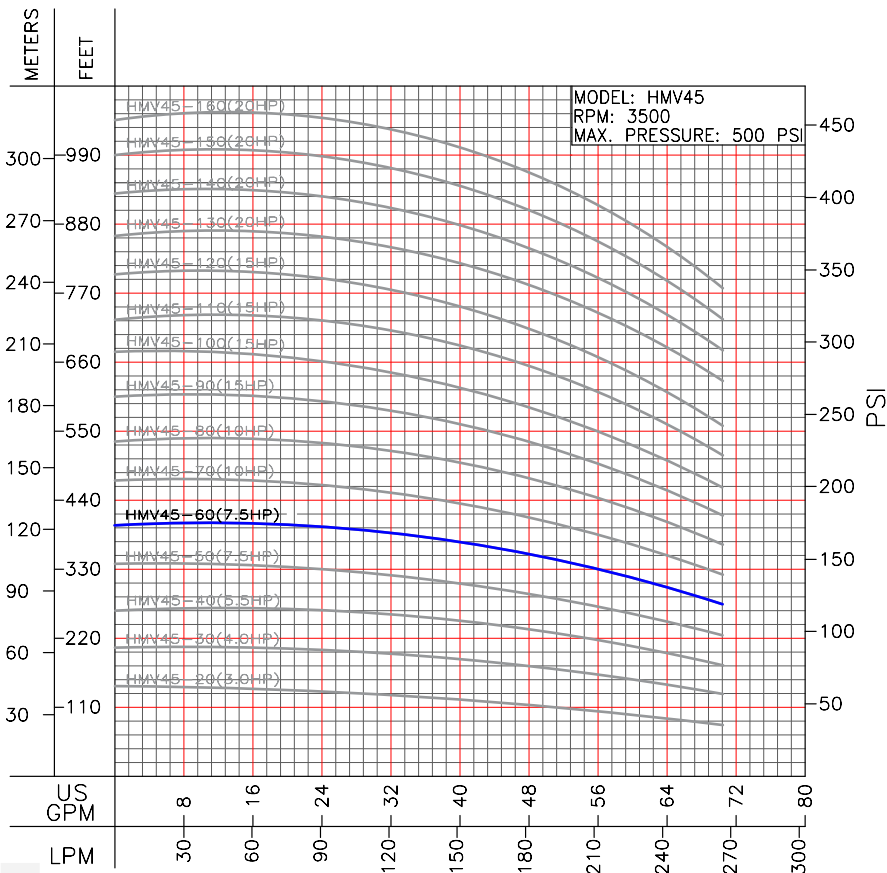


\* Representative image

| TECHNICAL DATA |           |     |      |         |           |                 |              |             |
|----------------|-----------|-----|------|---------|-----------|-----------------|--------------|-------------|
| MODEL          | PART No.  | HP  | RPM  | V       | MAX. AMPS | MAX. TEMP. (°F) | MAX. Q (gpm) | MAX. H (ft) |
| HMV45-20-303   | 70120107A | 3   | 3500 | 230/460 | 7.9/3.9   | 248             | 65           | 137         |
| HMV45-30-403   | 70120107B | 4   | 3500 | 230/460 | 10.3/5.1  | 248             | 65           | 203         |
| HMV45-40-553   | 70120107C | 5.5 | 3500 | 230/460 | 13.5/6.7  | 248             | 65           | 262         |
| HMV45-50-753   | 70120107H | 7.5 | 3500 | 230/460 | 18.3/9.1  | 248             | 65           | 334         |
| HMV45-60-753   | 70120107D | 7.5 | 3500 | 230/460 | 18.3/9.1  | 248             | 65           | 407         |
| HMV45-70-1003  | 70120107J | 10  | 3500 | 230/460 | 24.7/12.3 | 248             | 65           | 460         |
| HMV45-80-1003  | 70120107E | 10  | 3500 | 230/460 | 24.7/12.3 | 248             | 65           | 530         |
| HMV45-90-1503  | 70120107L | 15  | 3500 | 230/460 | 34/17     | 248             | 65           | 592         |
| HMV45-100-1503 | 70120107N | 15  | 3500 | 230/460 | 34/17     | 248             | 65           | 662         |
| HMV45-110-1503 | 70120107P | 15  | 3500 | 230/460 | 34/17     | 248             | 65           | 728         |
| HMV45-120-1503 | 70120107F | 15  | 3500 | 230/460 | 34/17     | 248             | 65           | 787         |
| HMV45-130-2003 | 70120107R | 20  | 3500 | 230/460 | 46/23     | 248             | 65           | 859         |
| HMV45-140-2003 | 70120107T | 20  | 3500 | 230/460 | 46/23     | 248             | 65           | 921         |
| HMV45-150-2003 | 70120107V | 20  | 3500 | 230/460 | 46/23     | 248             | 65           | 996         |
| HMV45-160-2003 | 70120107G | 20  | 3500 | 230/460 | 46/23     | 248             | 65           | 1055        |

| ITEM | NAME                   | MATERIAL          | AISI/ASTM          |
|------|------------------------|-------------------|--------------------|
| 1    | Motor                  | -                 | -                  |
| 2    | Bracket                | Ductile cast iron | ASTM A536 65-45-12 |
| 3    | Seal base              | Stainless steel   | AISI 304           |
| 4    | Mechanical seal        | SiC/Carbon        | -                  |
| 5    | Top diffuser           | Stainless steel   | AISI 304           |
| 6    | Diffuser               | Stainless steel   | AISI 304           |
| 7    | Support diffuser       | Stainless steel   | AISI 304           |
| 8    | Coupling               | Ductile iron      | ASTM A536 65-45-12 |
| 9    | Impeller               | Stainless steel   | AISI 304           |
| 10   | Cylinder               | Stainless steel   | AISI 304           |
| 11   | Shaft                  | Stainless steel   | AISI 304           |
| 12   | Bearing                | Tungsten carbide  | -                  |
| 13   | Inducer                | Stainless steel   | AISI 304           |
| 14   | Inlet & outlet chamber | Stainless steel   | AISI 304           |
| 15   | Base                   | Cast iron         | ASTM 25B           |





| MODEL          | HP  | STAGES | SIZE (in) |    |       |    | WEIGHT (lb) |     |
|----------------|-----|--------|-----------|----|-------|----|-------------|-----|
|                |     |        | B1        | B2 | B1+B2 | D1 |             | D2  |
| HMV45-20-303   | 3   | 2      | 14        | 14 | 28    | 7  | 6           | 93  |
| HMV45-30-403   | 4   | 3      | 16        | 16 | 32    | 8  | 6           | 106 |
| HMV45-40-553   | 5.5 | 4      | 17        | 16 | 33    | 9  | 7           | 128 |
| HMV45-50-753   | 7.5 | 5      | 19        | 18 | 37    | 10 | 8           | 154 |
| HMV45-60-753   | 7.5 | 6      | 20        | 18 | 39    | 10 | 8           | 157 |
| HMV45-70-1003  | 10  | 7      | 21        | 18 | 40    | 10 | 8           | 176 |
| HMV45-80-1003  | 10  | 8      | 23        | 18 | 41    | 10 | 8           | 179 |
| HMV45-90-1503  | 15  | 9      | 27        | 24 | 51    | 14 | 10          | 335 |
| HMV45-100-1503 | 15  | 10     | 28        | 24 | 52    | 14 | 10          | 335 |
| HMV45-110-1503 | 15  | 11     | 30        | 24 | 54    | 14 | 10          | 337 |
| HMV45-120-1503 | 15  | 12     | 31        | 24 | 55    | 14 | 10          | 340 |
| HMV45-130-2003 | 20  | 13     | 32        | 24 | 56    | 14 | 10          | 379 |
| HMV45-140-2003 | 20  | 14     | 33        | 24 | 57    | 14 | 10          | 381 |
| HMV45-150-2003 | 20  | 15     | 34        | 24 | 58    | 14 | 10          | 384 |
| HMV45-160-2003 | 20  | 16     | 36        | 24 | 60    | 14 | 10          | 386 |