

# HIGH EFFICIENCY VERTICAL MULTISTAGE CENTRIFUGAL PUMP

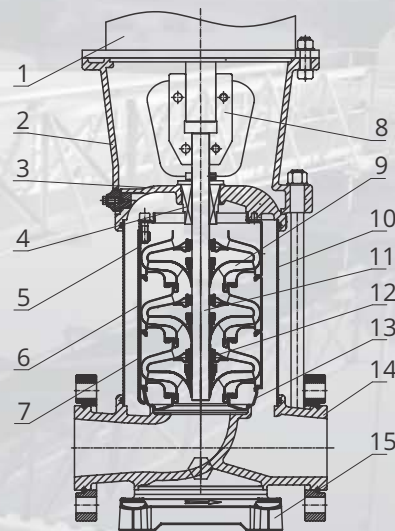
Series: **HMV300-30-2-4003**  
40 HP

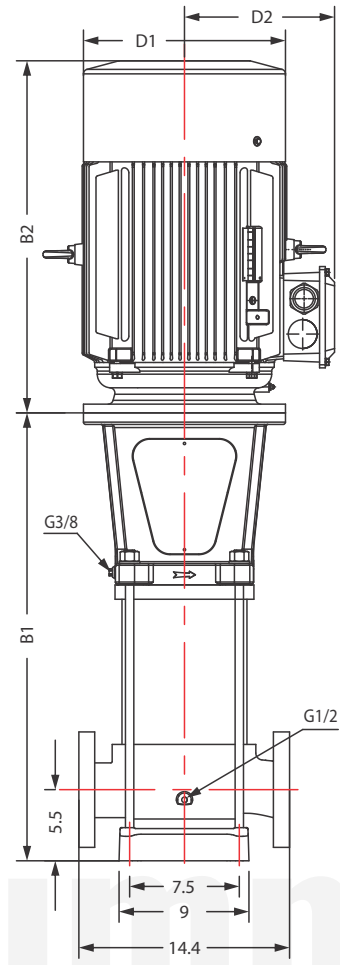
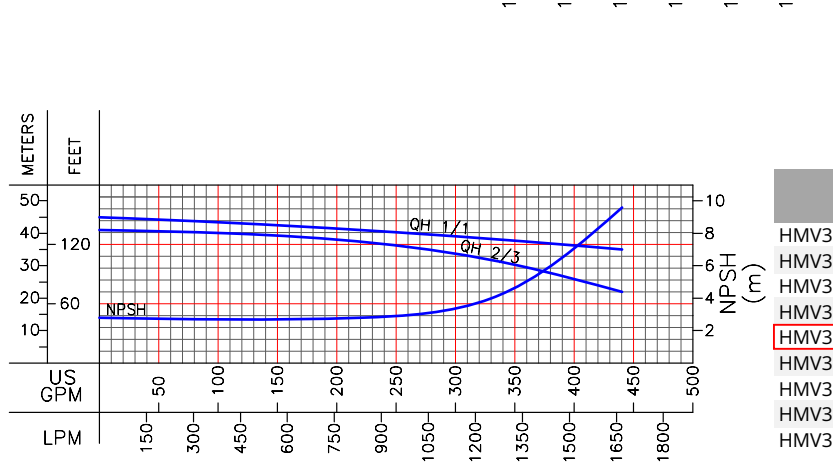
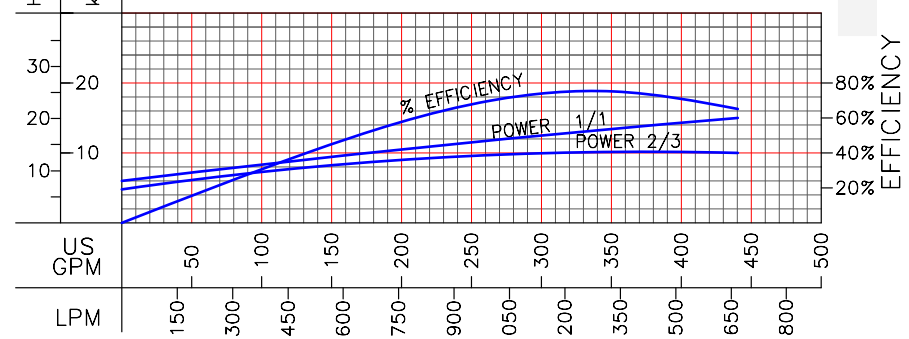
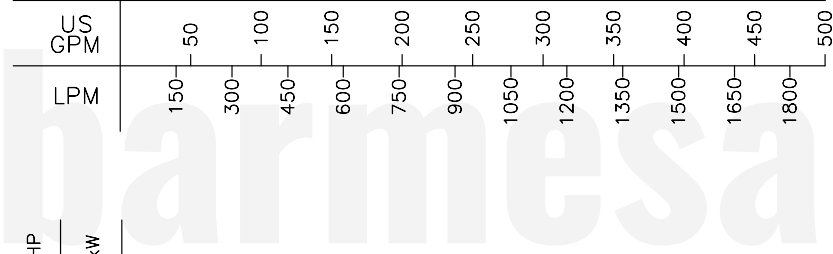
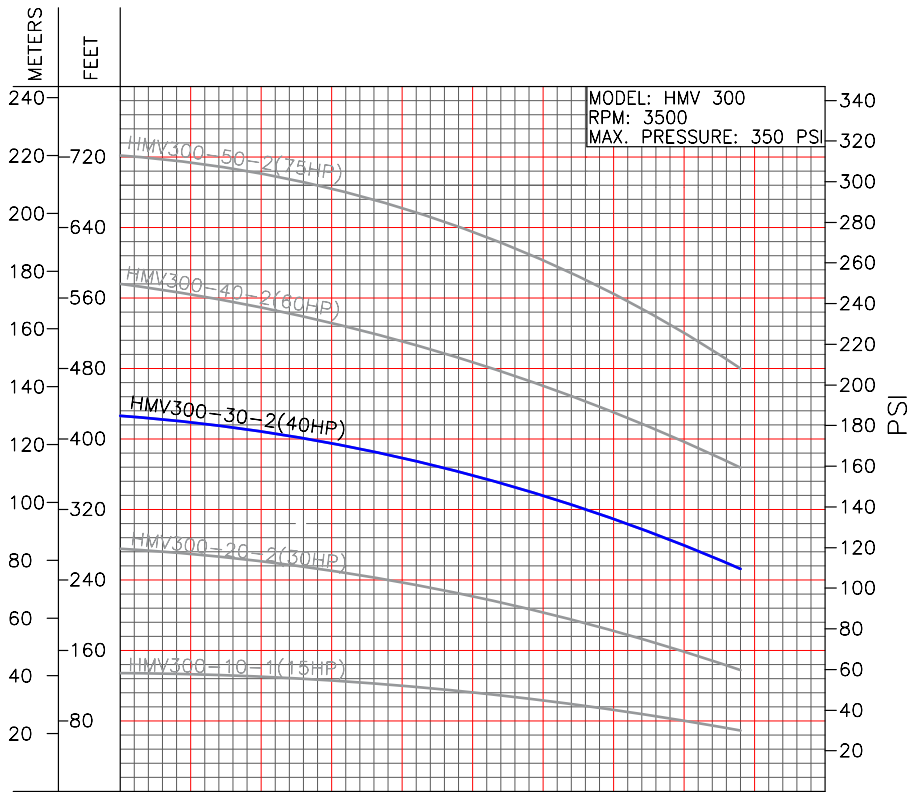


\* Representative image

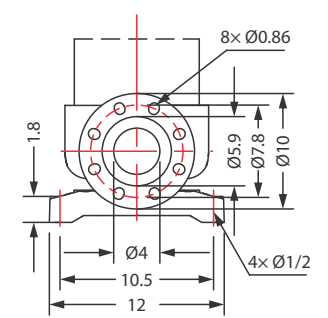
| TECHNICAL DATA          |                  |           |             |                |                  |                 |              |             |
|-------------------------|------------------|-----------|-------------|----------------|------------------|-----------------|--------------|-------------|
| MODEL                   | PART No.         | HP        | RPM         | V              | MAX. AMPS        | MAX. TEMP. (°F) | MAX. Q (gpm) | MAX. H (ft) |
| HMV300-10-1-1503        | 70120117A        | 15        | 3500        | 230/460        | 34/17            | 248             | 410          | 131         |
| HMV300-10-2-2003        | 70120117B        | 20        | 3500        | 230/460        | 46/23            | 248             | 410          | 157         |
| HMV300-20-2-3003        | 70120117C        | 30        | 3500        | 230/460        | 66.9/33.5        | 248             | 410          | 265         |
| HMV300-20-4003          | 70120117H        | 40        | 3500        | 230/460        | 90.7/45.4        | 248             | 410          | 298         |
| <b>HMV300-30-2-4003</b> | <b>70120117D</b> | <b>40</b> | <b>3500</b> | <b>230/460</b> | <b>90.7/45.4</b> | <b>248</b>      | <b>410</b>   | <b>409</b>  |
| HMV300-30-5003          | 70120117E        | 50        | 3500        | 230/460        | 111/55.7         | 248             | 410          | 454         |
| HMV300-40-2-6003        | 70120117F        | 60        | 3500        | 230/460        | 134/66.8         | 248             | 410          | 573         |
| HMV300-40-7503          | 70120117J        | 75        | 3500        | 230/460        | 163/81.3         | 248             | 410          | 605         |
| HMV300-50-2-7503        | 70120117G        | 75        | 3500        | 230/460        | 163/81.3         | 248             | 410          | 720         |

| ITEM | NAME                   | MATERIAL          | AISI/ASTM          |
|------|------------------------|-------------------|--------------------|
| 1    | Motor                  | -                 | -                  |
| 2    | Bracket                | Ductile cast iron | ASTM A536 65-45-12 |
| 3    | Seal base              | Stainless steel   | AISI 304           |
| 4    | Mechanical seal        | SiC/Carbon        | -                  |
| 5    | Top diffuser           | Stainless steel   | AISI 304           |
| 6    | Diffuser               | Stainless steel   | AISI 304           |
| 7    | Support diffuser       | Stainless steel   | AISI 304           |
| 8    | Coupling               | Ductile iron      | ASTM A536 65-45-12 |
| 9    | Impeller               | Stainless steel   | AISI 304           |
| 10   | Cylinder               | Stainless steel   | AISI 304           |
| 11   | Shaft                  | Stainless steel   | AISI 304           |
| 12   | Bearing                | Tungsten carbide  | -                  |
| 13   | Inducer                | Stainless steel   | AISI 304           |
| 14   | Inlet & outlet chamber | Stainless steel   | AISI 304           |
| 15   | Base                   | Cast iron         | ASTM 25B           |





4" / ANSI / CLASS 300



| MODEL                   | HP        | STAGES   | SIZE (in) |          |           | D1        | D2        | WEIGHT (lb) |
|-------------------------|-----------|----------|-----------|----------|-----------|-----------|-----------|-------------|
|                         |           |          | B1        | B2       | B1+B2     |           |           |             |
| HMV300-10-1-1503        | 15        | 1        | 24        | 24       | 48        | 14        | 10        | 399         |
| HMV300-10-2003          | 20        | 1        | 24        | 24       | 48        | 14        | 10        | 399         |
| HMV300-20-2-3003        | 30        | 2        | 28        | 26       | 54        | 14        | 11        | 573         |
| HMV300-20-4003          | 40        | 2        | 28        | 28       | 56        | 16        | 12        | 701         |
| <b>HMV300-30-2-4003</b> | <b>40</b> | <b>3</b> | <b>31</b> | <b>3</b> | <b>34</b> | <b>16</b> | <b>12</b> | <b>705</b>  |
| HMV300-30-5003          | 50        | 3        | 31        | 28       | 59        | 16        | 12        | 772         |
| HMV300-40-2-6003        | 60        | 4        | 34        | 29       | 63        | 18        | 13        | 926         |
| HMV300-40-7503          | 75        | 4        | 35        | 32       | 68        | 22        | 15        | 1124        |
| HMV300-50-2-7503        | 75        | 5        | 39        | 32       | 71        | 22        | 15        | 1129        |