

HIGH EFFICIENCY VERTICAL MULTISTAGE CENTRIFUGAL PUMP

Series: **HMV200-30-2-2503**
25 HP

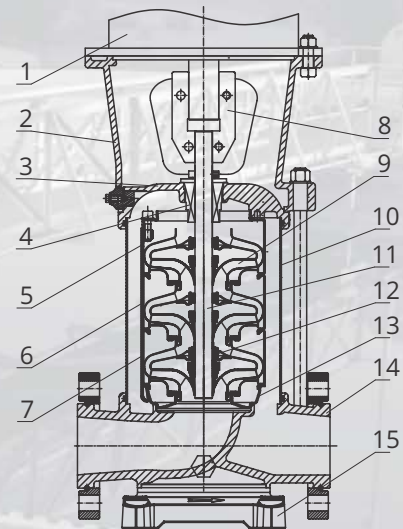


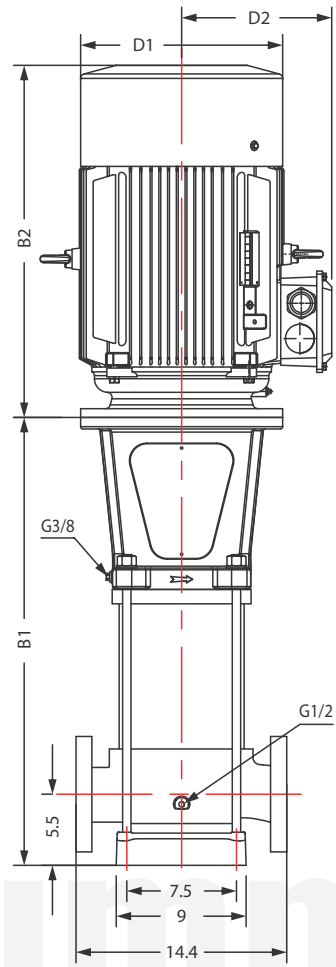
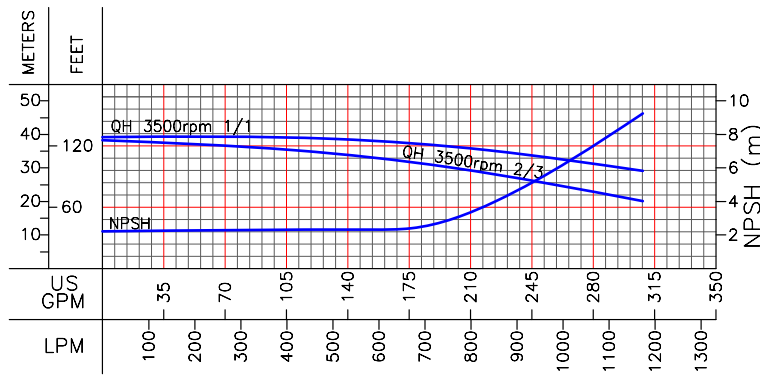
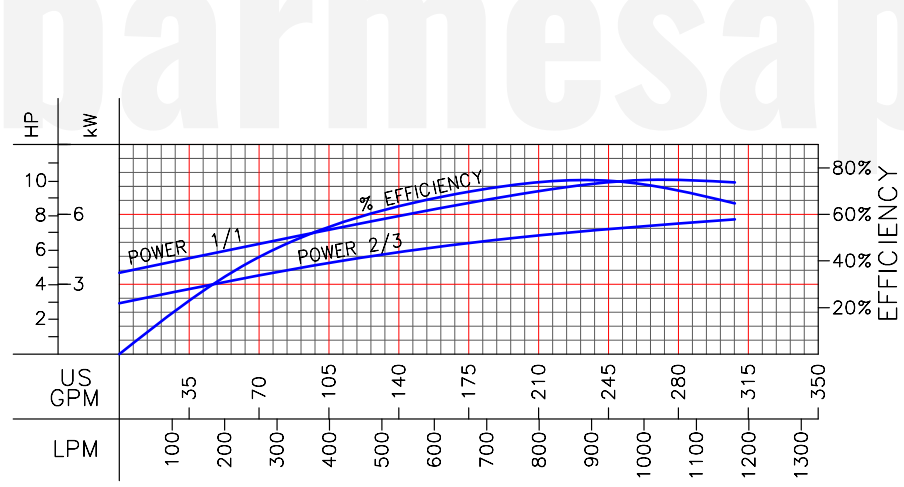
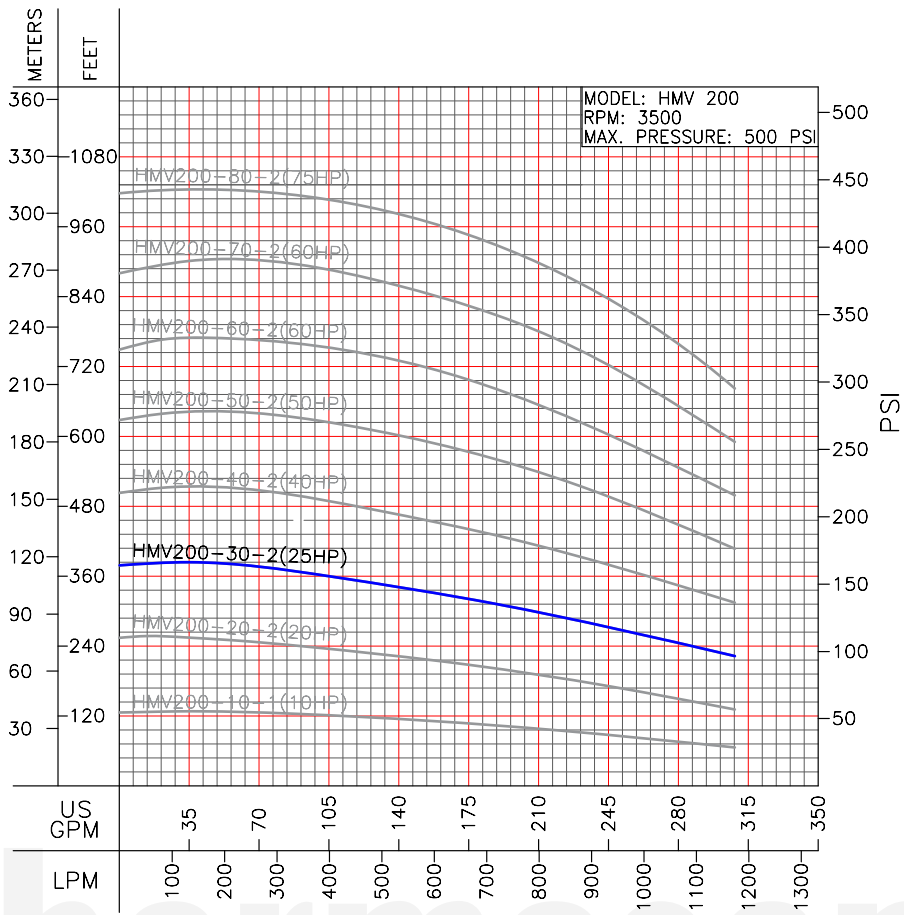

CSA Certified
Drinking Water -
NSF/ANSI 61 & 372

* Representative image

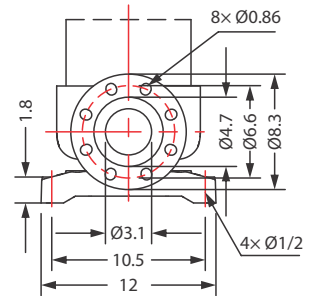
| TECHNICAL DATA | | | | | | | | |
|------------------|-----------|----|------|---------|-----------|-----------------|--------------|-------------|
| MODEL | PART No. | HP | RPM | V | MAX. AMPS | MAX. TEMP. (°F) | MAX. Q (gpm) | MAX. H (ft) |
| HMV200-10-1-1003 | 70120115A | 10 | 3500 | 230/460 | 18.3/9.1 | 248 | 292 | 124 |
| HMV200-10-1003 | 70120115B | 10 | 3500 | 230/460 | 24.7/12.3 | 248 | 292 | 131 |
| HMV200-20-2003 | 70120115C | 20 | 3500 | 230/460 | 46/23 | 248 | 292 | 255 |
| HMV200-30-2-2503 | 70120115D | 25 | 3500 | 230/460 | 56.5/28.2 | 248 | 292 | 387 |
| HMV200-30-3003 | 70120115E | 30 | 3500 | 230/460 | 66.9/33.5 | 248 | 292 | 390 |
| HMV200-40-4003 | 70120115F | 40 | 3500 | 230/460 | 90.7/45.4 | 248 | 292 | 511 |
| HMV200-50-5003 | 70120115G | 50 | 3500 | 230/460 | 111/55.7 | 248 | 292 | 508 |
| HMV200-70-2-6003 | 70120115H | 60 | 3500 | 230/460 | 134/66.8 | 248 | 292 | 878 |
| HMV200-80-2-7503 | 70120115I | 75 | 3500 | 230/460 | 163/81.3 | 248 | 292 | 1009 |

| ITEM | NAME | MATERIAL | AISI/ASTM |
|------|------------------------|-------------------|--------------------|
| 1 | Motor | - | - |
| 2 | Bracket | Ductile cast iron | ASTM A536 65-45-12 |
| 3 | Seal base | Stainless steel | AISI 304 |
| 4 | Mechanical seal | SiC/Carbon | - |
| 5 | Top diffuser | Stainless steel | AISI 304 |
| 6 | Diffuser | Stainless steel | AISI 304 |
| 7 | Support diffuser | Stainless steel | AISI 304 |
| 8 | Coupling | Ductile iron | ASTM A536 65-45-12 |
| 9 | Impeller | Stainless steel | AISI 304 |
| 10 | Cylinder | Stainless steel | AISI 304 |
| 11 | Shaft | Stainless steel | AISI 304 |
| 12 | Bearing | Tungsten carbide | - |
| 13 | Inducer | Stainless steel | AISI 304 |
| 14 | Inlet & outlet chamber | Stainless steel | AISI 304 |
| 15 | Base | Cast iron | ASTM 25B |





3" / ANSI / CLASS 300



| MODEL | HP | STAGES | SIZE (in) | | | D1 | D2 | WEIGHT (lb) |
|------------------|----|--------|-----------|----|-------|----|----|-------------|
| | | | B1 | B2 | B1+B2 | | | |
| HMV200-10-1-1003 | 10 | 1 | 20 | 18 | 38 | 10 | 8 | 227 |
| HMV200-10-1-1003 | 10 | 1 | 20 | 18 | 38 | 10 | 8 | 249 |
| HMV200-20-2-2003 | 20 | 2 | 27 | 24 | 51 | 14 | 10 | 452 |
| HMV200-30-2-2503 | 25 | 3 | 31 | 25 | 56 | 14 | 10 | 496 |
| HMV200-30-3-3003 | 30 | 3 | 31 | 26 | 57 | 14 | 11 | 573 |
| HMV200-40-4-4003 | 40 | 4 | 34 | 28 | 62 | 16 | 12 | 694 |
| HMV200-50-5-5003 | 50 | 5 | 37 | 28 | 65 | 16 | 12 | 750 |
| HMV200-70-2-6003 | 60 | 7 | 43 | 29 | 72 | 18 | 13 | 915 |
| HMV200-80-2-7503 | 75 | 8 | 47 | 32 | 80 | 22 | 15 | 1091 |