

# HIGH EFFICIENCY VERTICAL MULTISTAGE CENTRIFUGAL PUMP

Series: **HMV140-20-1003**  
10 HP

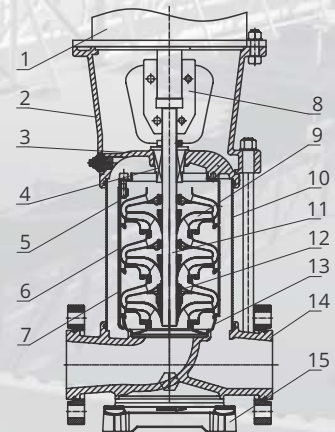


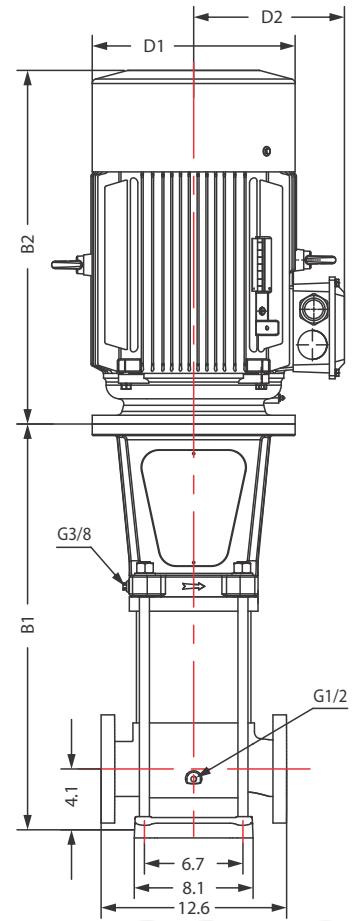
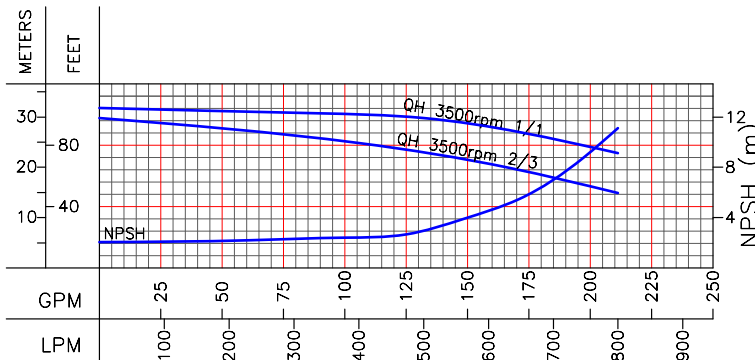
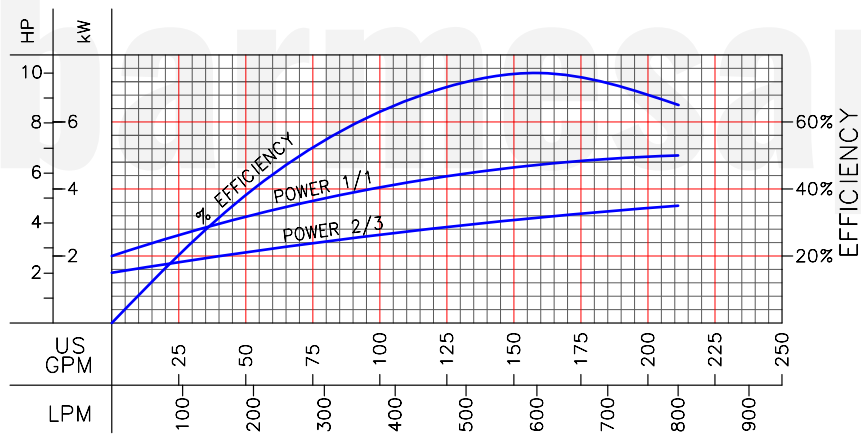
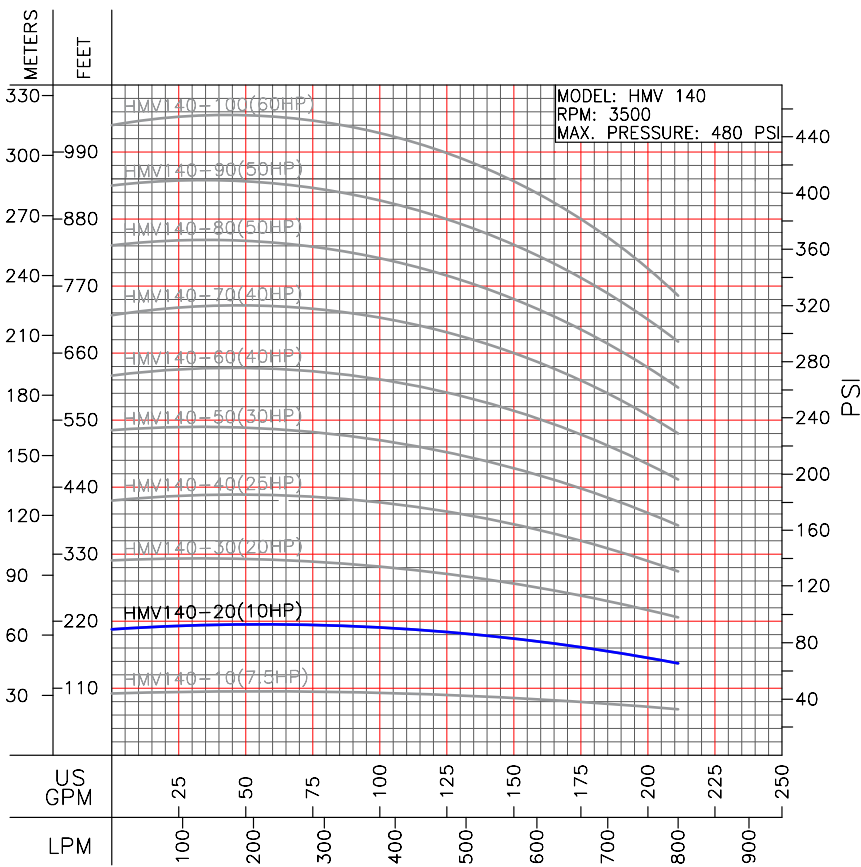
**CSA**<sup>®</sup>  
C US  
CSA Certified  
Drinking Water -  
NSF/ANSI 61 & 372

\* Representative image

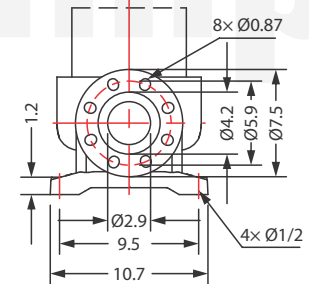
| TECHNICAL DATA    |            |     |      |         |           |                 |              |             |
|-------------------|------------|-----|------|---------|-----------|-----------------|--------------|-------------|
| MODEL             | PART No.   | HP  | RPM  | V       | MAX. AMPS | MAX. TEMP. (°F) | MAX. Q (gpm) | MAX. H (ft) |
| HMV140-10-1-553   | 70120113A  | 5.5 | 3500 | 230/460 | 13.5/6.7  | 248             | 200          | 95          |
| HMV140-10-753     | 70120113B  | 7.5 | 3500 | 230/460 | 18.3/9.1  | 248             | 200          | 101         |
| HMV140-20-2-1003  | 70120113N  | 10  | 3500 | 230/460 | 24.7/12.3 | 248             | 200          | 197         |
| HMV140-20-1003    | 70120113C  | 10  | 3500 | 230/460 | 24.7/12.3 | 248             | 200          | 213         |
| HMV140-30-2-1503  | 70120113D  | 15  | 3500 | 230/460 | 34/17     | 248             | 200          | 295         |
| HMV140-30-2003    | 70120113P  | 20  | 3500 | 230/460 | 46/23     | 248             | 200          | 327         |
| HMV140-40-2-2003  | 70120113E  | 20  | 3500 | 230/460 | 46/23     | 248             | 200          | 400         |
| HMV140-40-2503    | 70120113R  | 25  | 3500 | 230/460 | 56.5/28.2 | 248             | 200          | 429         |
| HMV140-50-2-2503  | 70120113F  | 25  | 3500 | 230/460 | 56.5/28.2 | 248             | 200          | 508         |
| HMV140-50-3003    | 70120113T  | 30  | 3500 | 230/460 | 66.9/33.5 | 248             | 200          | 524         |
| HMV140-60-2-3003  | 70120113G  | 30  | 3500 | 230/460 | 66.9/33.5 | 248             | 200          | 606         |
| HMV140-60-4003    | 70120113V  | 40  | 3500 | 230/460 | 90.7/45.4 | 248             | 200          | 629         |
| HMV140-70-2-4003  | 70120113X  | 40  | 3500 | 230/460 | 90.7/45.4 | 248             | 200          | 704         |
| HMV140-70-4003    | 70120113H  | 40  | 3500 | 230/460 | 90.7/45.4 | 248             | 200          | 731         |
| HMV140-80-5003    | 70120113Z  | 50  | 3500 | 230/460 | 111/55.7  | 248             | 200          | 806         |
| HMV140-90-2-5003  | 70120113I  | 50  | 3500 | 230/460 | 111/55.7  | 248             | 200          | 895         |
| HMV140-90-5003    | 70120113Z2 | 50  | 3500 | 230/460 | 111/55.7  | 248             | 200          | 921         |
| HMV140-100-2-6006 | 70120113Z4 | 60  | 3500 | 230/460 | 134/66.8  | 248             | 200          | 1016        |
| HMV140-100-6003   | 70120113J  | 60  | 3500 | 230/460 | 134/66.8  | 248             | 200          | 1032        |

| ITEM | NAME                   | MATERIAL          | AISI/ASTM          |
|------|------------------------|-------------------|--------------------|
| 1    | Motor                  | -                 | -                  |
| 2    | Bracket                | Ductile cast iron | ASTM A536 65-45-12 |
| 3    | Seal base              | Stainless steel   | AISI 304           |
| 4    | Mechanical seal        | SiC/Carbon        | -                  |
| 5    | Top diffuser           | Stainless steel   | AISI 304           |
| 6    | Diffuser               | Stainless steel   | AISI 304           |
| 7    | Support diffuser       | Stainless steel   | AISI 304           |
| 8    | Coupling               | Ductile iron      | ASTM A536 65-45-12 |
| 9    | Impeller               | Stainless steel   | AISI 304           |
| 10   | Cylinder               | Stainless steel   | AISI 304           |
| 11   | Shaft                  | Stainless steel   | AISI 304           |
| 12   | Bearing                | Tungsten carbide  | -                  |
| 13   | Inducer                | Stainless steel   | AISI 304           |
| 14   | Inlet & outlet chamber | Stainless steel   | AISI 304           |
| 15   | Base                   | Cast iron         | ASTM 25B           |





2 1/2" / ANSI / CLASS 300



| MODEL                 | HP        | STAGES   | SIZE (in) |           |           |           | WEIGHT (lb) |            |
|-----------------------|-----------|----------|-----------|-----------|-----------|-----------|-------------|------------|
|                       |           |          | B1        | B2        | B1+B2     | D1        |             | D2         |
| HMV140-10-1-553       | 5.5       | 1        | 18        | 16        | 34        | 9         | 7           | 176        |
| HMV140-10-753         | 7.5       | 1        | 18        | 18        | 37        | 10        | 8           | 229        |
| HMV140-20-2-1003      | 10        | 2        | 21        | 18        | 39        | 10        | 8           | 251        |
| <b>HMV140-20-1003</b> | <b>10</b> | <b>2</b> | <b>21</b> | <b>18</b> | <b>39</b> | <b>10</b> | <b>8</b>    | <b>251</b> |
| HMV140-30-2-1503      | 15        | 3        | 28        | 24        | 52        | 14        | 10          | 408        |
| HMV140-30-2003        | 20        | 3        | 28        | 24        | 52        | 14        | 10          | 437        |
| HMV140-40-2-2003      | 20        | 4        | 30        | 24        | 54        | 14        | 10          | 441        |
| HMV140-40-2503        | 25        | 4        | 30        | 25        | 56        | 14        | 10          | 476        |
| HMV140-50-2-2503      | 25        | 5        | 33        | 25        | 58        | 14        | 10          | 481        |
| HMV140-50-3003        | 30        | 5        | 33        | 25        | 58        | 14        | 11          | 492        |
| HMV140-60-2-3003      | 30        | 6        | 36        | 28        | 64        | 14        | 11          | 496        |
| HMV140-60-4003        | 40        | 6        | 36        | 28        | 64        | 16        | 12          | 518        |
| HMV140-70-2-4003      | 40        | 7        | 39        | 28        | 67        | 16        | 12          | 522        |
| HMV140-70-4003        | 40        | 7        | 39        | 28        | 67        | 16        | 12          | 522        |
| HMV140-80-5003        | 50        | 8        | 41        | 28        | 69        | 16        | 12          | 578        |
| HMV140-90-2-5003      | 50        | 9        | 44        | 28        | 72        | 16        | 12          | 582        |
| HMV140-90-5003        | 50        | 9        | 44        | 28        | 72        | 16        | 12          | 582        |
| HMV140-100-2-6003     | 60        | 10       | 47        | 29        | 76        | 18        | 13          | 743        |
| HMV140-100-6003       | 60        | 10       | 47        | 29        | 76        | 18        | 13          | 743        |