

HIGH EFFICIENCY VERTICAL MULTISTAGE CENTRIFUGAL PUMP

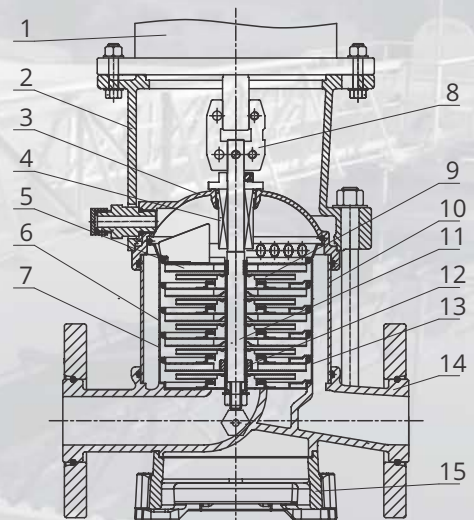
Series: **HMV14-130-403**
4 HP

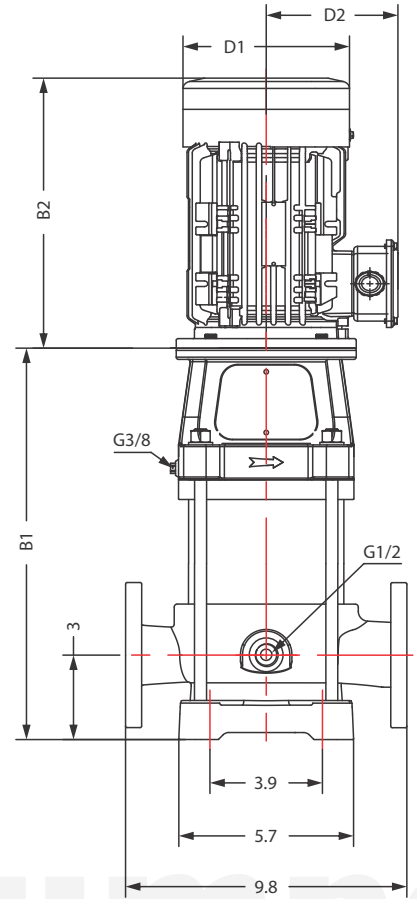
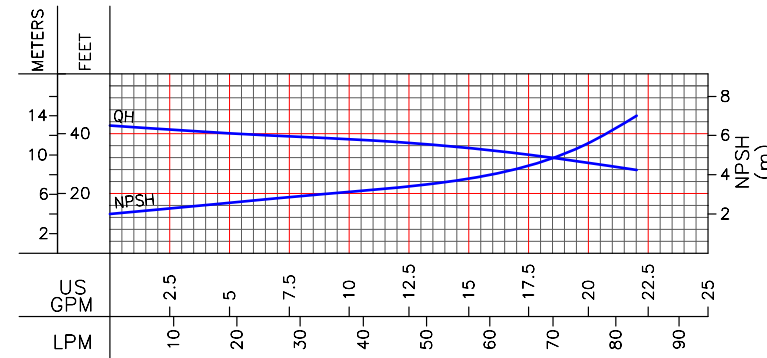
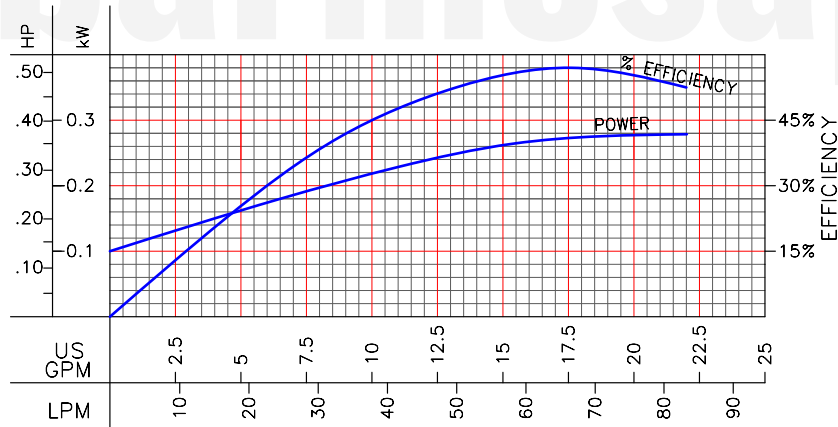
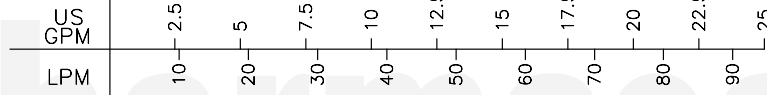
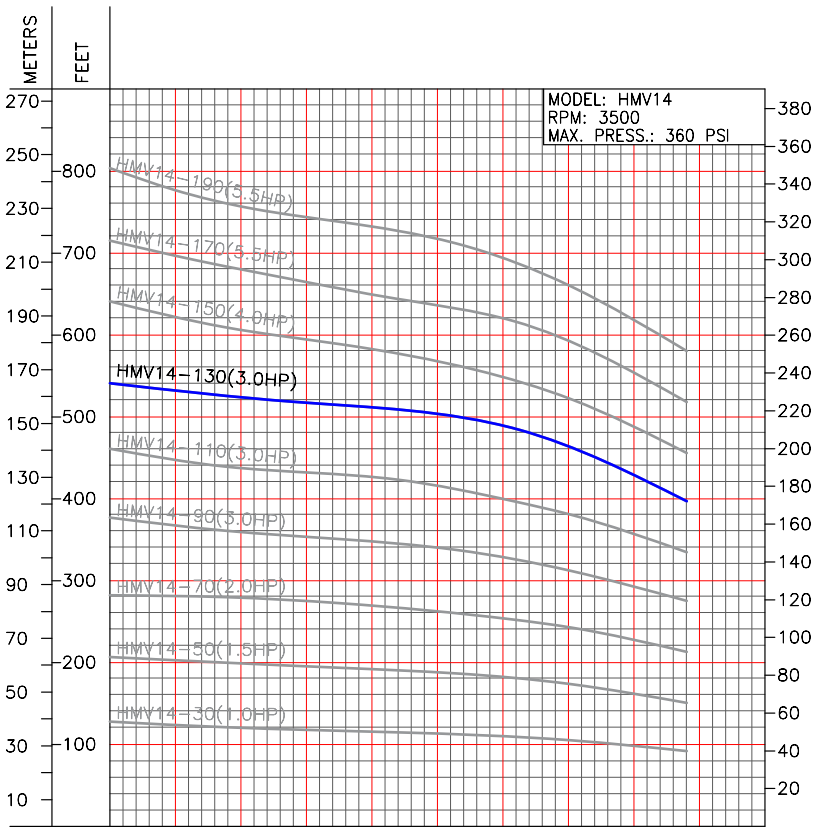


* Representative image

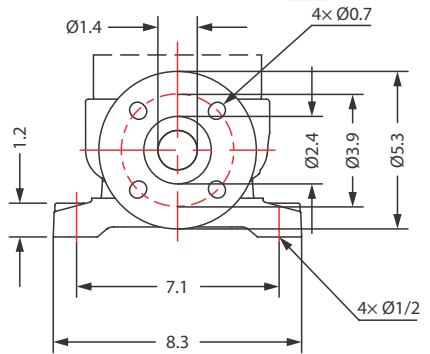
| TECHNICAL DATA | | | | | | | | |
|----------------|-----------|-----|------|---------|-----------|-----------------|--------------|-------------|
| MODEL | PART No. | HP | RPM | V | MAX. AMPS | MAX. TEMP. (°F) | MAX. Q (gpm) | MAX. H (ft) |
| HMV14-30-103 | 70120103A | 1 | 3500 | 230/460 | 2.9/1.5 | 248 | 20 | 130 |
| HMV14-50-153 | 70120103B | 1.5 | 3500 | 230/460 | 4.2/2.1 | 248 | 20 | 203 |
| HMV14-70-203 | 70120103C | 2 | 3500 | 230/460 | 5.5/2.7 | 248 | 20 | 295 |
| HMV14-90-303 | 70120103L | 3 | 3500 | 230/460 | 7.9/3.9 | 248 | 20 | 367 |
| HMV14-110-303 | 70120103D | 3 | 3500 | 230/460 | 7.9/3.9 | 248 | 20 | 459 |
| HMV14-130-403 | - | 4 | 3500 | 230/460 | 7.9/3.9 | 248 | 20 | 541 |
| HMV14-150-403 | 70120103E | 4 | 3500 | 230/460 | 10.3/5.1 | 248 | 20 | 623 |
| HMV14-170-553 | 70120103P | 5.5 | 3500 | 230/460 | 13.5/6.7 | 248 | 20 | 714 |
| HMV14-190-553 | 70120103F | 5.5 | 3500 | 230/460 | 13.5/6.7 | 248 | 20 | 794 |

| ITEM | NAME | MATERIAL | AISI/ASTM |
|------|------------------------|-------------------|--------------------|
| 1 | Motor | - | - |
| 2 | Bracket | Ductile cast iron | ASTM A536 65-45-12 |
| 3 | Seal base | Stainless steel | AISI 304 |
| 4 | Mechanical seal | SiC/Carbon | - |
| 5 | Top diffuser | Stainless steel | AISI 304 |
| 6 | Diffuser | Stainless steel | AISI 304 |
| 7 | Support diffuser | Stainless steel | AISI 304 |
| 8 | Coupling | Ductile cast iron | ASTM A536 65-45-12 |
| 9 | Impeller | Stainless steel | AISI 304 |
| 10 | Cylinder | Stainless steel | AISI 304 |
| 11 | Shaft | Stainless steel | AISI 304 |
| 12 | Bearing | Tungsten carbide | - |
| 13 | Inducer | Stainless steel | AISI304 |
| 14 | Inlet & outlet chamber | Stainless steel | AISI 304 |
| 15 | Base | Cast iron | ASTM 25B |





1 1/4" / ANSI / CLASS 300



| MODEL | HP | STAGES | SIZE (in) | | | | WEIGHT (lb) | |
|----------------------|----------|-----------|-----------|-----------|-----------|----------|-------------|------------|
| | | | B1 | B2 | B1+B2 | D1 | | D2 |
| HMV14-30-103 | 1 | 3 | 11 | 11 | 22 | 7 | 6 | 64 |
| HMV14-50-153 | 1.5 | 5 | 13 | 11 | 24 | 7 | 6 | 71 |
| HMV14-70-203 | 2 | 7 | 15 | 14 | 28 | 7 | 6 | 86 |
| HMV14-90-303 | 3 | 9 | 16 | 14 | 30 | 7 | 6 | 101 |
| HMV14-110-303 | 3 | 11 | 17 | 14 | 31 | 7 | 6 | 106 |
| HMV14-130-403 | 4 | 13 | 19 | 16 | 35 | 8 | 6 | 119 |
| HMV14-150-403 | 4 | 15 | 21 | 16 | 37 | 8 | 6 | 123 |
| HMV14-170-553 | 5 | 17 | 22 | 16 | 38 | 9 | 7 | 130 |
| HMV14-190-553 | 5 | 19 | 24 | 16 | 40 | 9 | 7 | 132 |