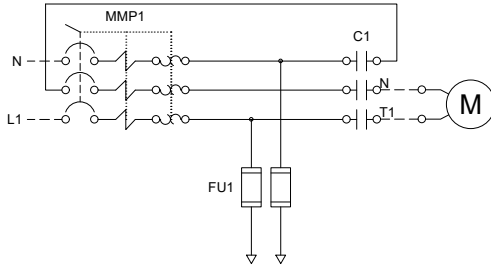
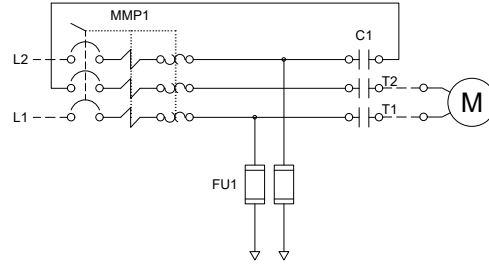


Select Incoming Voltage

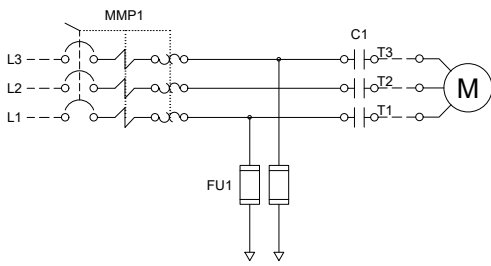
110-120V



200-240V



200-600V



N.Y.C.
APPROVED



Listing	Underwriters Laboratory (UL)	UL508A - Industrial Pump Controllers
	New York City	Accepted for use in the City of New York by the Department of Buildings
	Optional	
	CE Mark	Various EN, IEC & CEE directives and standards
Enclosure	Protection Rating	
	Standard: NEMA 2	
	Optional	
	NEMA 12	NEMA 4X-304 sst painted
	NEMA 3	NEMA
	NEMA 3R	NEMA 4X-316 sst painted
	NEMA 4	NEMA
	Accessories	
	• Wall mounting lugs (x4)	• Red RAL3002 • Powder coating



Short circuit current rating

HP	Voltage						
	Single Phase		Three Phase				
	110 - 120V	200 - 240V	200 - 208V	220 - 240V	380 - 415V	440 - 480V	600V
0.25	65kA	65kA	65kA	65kA	65kA	65kA	10kA
0.5	65kA	65kA	65kA	65kA	65kA	65kA	10kA
0.75	42kA	65kA	65kA	65kA	65kA	65kA	10kA
1	42kA	65kA	65kA	65kA	65kA	65kA	10kA
1.5	42kA	65kA	65kA	65kA	65kA	65kA	10kA
2	42kA	65kA	65kA	65kA	65kA	65kA	10kA
3	CF	42kA	65kA	65kA	65kA	65kA	10kA
4	CF	42kA	42kA	42kA	65kA	65kA	10kA
5	CF	42kA	42kA	42kA	65kA	65kA	10kA
5.5	CF	CF	42kA	42kA	65kA	65kA	10kA
7.5	CF	CF	42kA	42kA	42kA	65kA	10kA
10	CF	CF	CF	42kA	42kA	42kA	10kA
15	CF	CF	CF	CF	42kA	42kA	5kA
20	CF	CF	CF	CF	CF	42kA	5kA
25	CF	CF	CF	CF	CF	CF	5kA



Fuseless Motor Starter	<ul style="list-style-type: none"> • Type -F fuse-less magnetic motor starter • Rotary handle, padlockable • Door interlocked 		
Control Circuit	<ul style="list-style-type: none"> • 24V.AC 		
ViZiLT Operator Interface	<ul style="list-style-type: none"> • High luminosity alphanumeric digital display • HAND-OFF-AUTO pushbuttons • MENU navigation pushbuttons 		
Pressure Sensing	<ul style="list-style-type: none"> • Pressure transducer for fresh water application 316 stainless steel construction • Rated for 0-600psi working pressure • Pressure sensing line connection 1/2" brass Male NPT 		
Visual Indications	<ul style="list-style-type: none"> • H-O-A position • System pressure • Cut-out and Cut-In pressure setting • Manual motor run • Automatic motor run • Motor overload (occured) • Pump start counter • Elapsed time meter (hours / non-resettable) 		
Timers	<ul style="list-style-type: none"> • Delay start timer (on delay) • Visual countdown 		
Counters	<ul style="list-style-type: none"> • Pump start counter • Elapsed timer meter (hours / non-resettable) 		
Operators	<ul style="list-style-type: none"> • Main disconnect handle • HAND-OFF-AUTO pushbuttons • MENU navigation pushbuttons 		
Operation	Automatic Start	Start on pressure drop	
	Manual Start	Start pushbutton	
	Stopping	Stop pushbutton	
	Timers	Field adjustable & visual countdown	<ul style="list-style-type: none"> • Delay start timer (on delay)

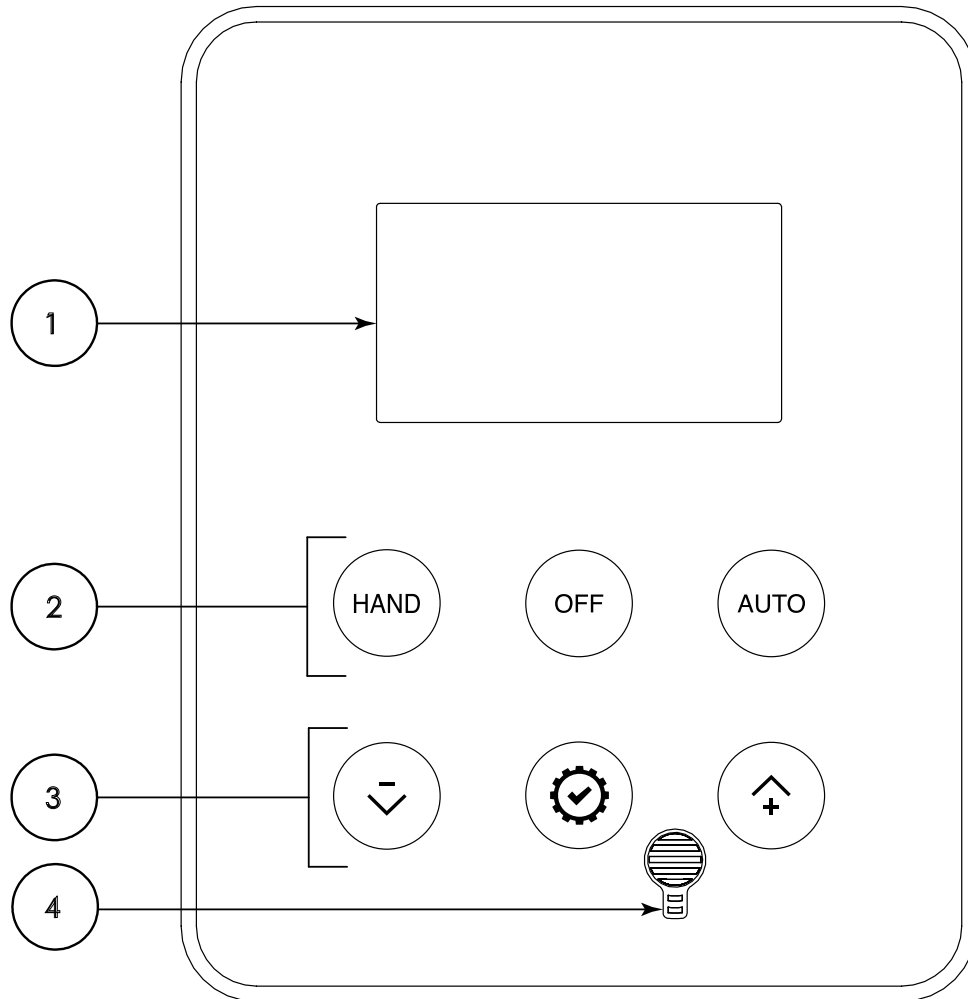


A5	Motor run alarm contact
A6	Loss of power alarm contact
A7	Overload or short circuit alarm contact
D11D	Pressure transducer 0-600psi with 1/2" MNPT 316 stainless steel bushing
D13A	Externally mounted wetted parts
D18	Audible alarm
D19	Anti-condensation heater and thermostat
D20	Anti-condensation heater and humidistat
D21	Tropicalization
D22	Phase reversal / failure pilot light and alarm contact
D23	Controller power healthy pilot light and alarm contact
D24	Pump failure via current sensing relay with pilot light and dry alarm contact
D25	Low zone pump control function
D26	Mid zone pump control function
D27	High zone pump control function
D28	Controller in AUTO alarm contacts
D29	Controller not in AUTO alarm contacts
D30	Motor heater circuit
D35	2018 rigid base/wall mounted only
D36	rigid base/wall mounted only
D37	100kA high short circuit withstand rating for 200V to 600V

L01	Other language and English (bilingual)
L02	French
L03	Spanish
L04	German
L05	Italian
L06	Polish
L07	Romanian
L08	Hungarian
L09	Slovakian
L10	Croatian
L11	Czech
L12	Portuguese
L13	Dutch
L15	Turkish
L16	Swedish
L21	Danish
L28	Finnish
L29	Norwegian

Note: Options chosen from this page are not electrically represented on the wiring schematics in this submittal package.

ViZiLT Operator Interface



- 1 - High luminosity alphanumeric digital display
- 2 - HAND-OFF-AUTO pushbuttons
- 3 - MENU navigation pushbuttons
- 4 - Audible Alarm



© Tornatech, Inc. Not for construction.
Subject to change without notice.

	BY	DD/MM/YY
DRAWN BY	ACD	15/05/23
FINAL APPROVAL	FC	15/05/23

JOCKEY PUMP CONTROLLER

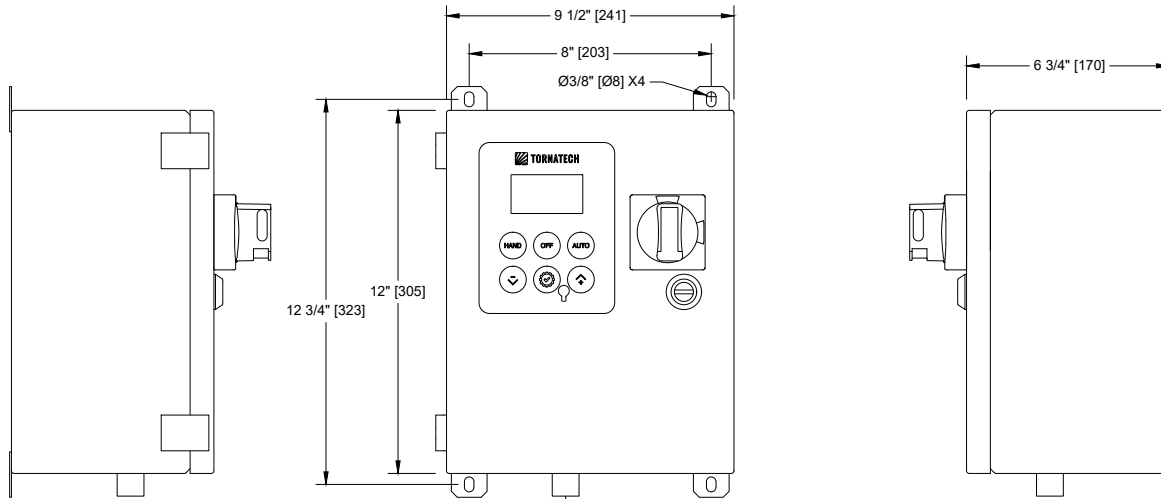
MODEL: JPLT

BUILT TO THE LATEST EDITION OF THE UL 508A

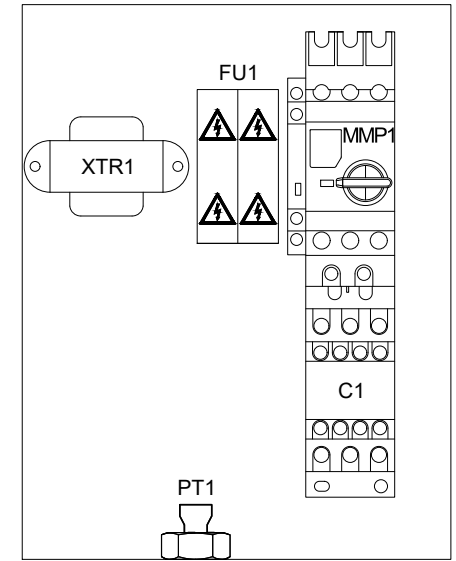
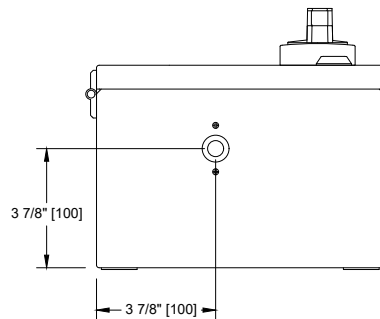


THIRD ANGLE PROJECTION

DRAWING NUMBER	JPLT-D1001/E
DWG REV. 0	
SHEET 1 OF 1	



Sensing Line Connection 1/2 " M.NPT



Standard Internal Layout

Voltage / Power Table	
Voltage	Max HP
1 Phase	
110 - 120	2
200 - 208	5
220 - 240	5
3 Phases	
200 - 208	7.5
220 - 240	10
380 - 400 - 415	15
440 - 480	20
600	25

- Notes:**
- Standard NEMA: NEMA 2
 - Standard Paint: Textured Red RAL 3002.
 - All Dimensions are in Inches [Millimeters]
 - Use Watertight Conduit and Connector Only.
 - Protect Equipment Against Drilling Chips.
 - Door Swing Equal to Door Width

Drawing for information only.
Manufacturer reserves the right to modify this drawing without notice.
Contact manufacturer for "As Built" drawing.
*Dimensions may change depending on option required. Consult Factory for exact dimensions.



© Tornatech, Inc. Not for construction.
Subject to change without notice.

	BY	DD/MM/YY
DRAWN BY	ACD	15/05/23
FINAL APPROVAL	FC	15/05/23

JOCKEY PUMP CONTROLLER ACROSS THE LINE / 3 PHASES

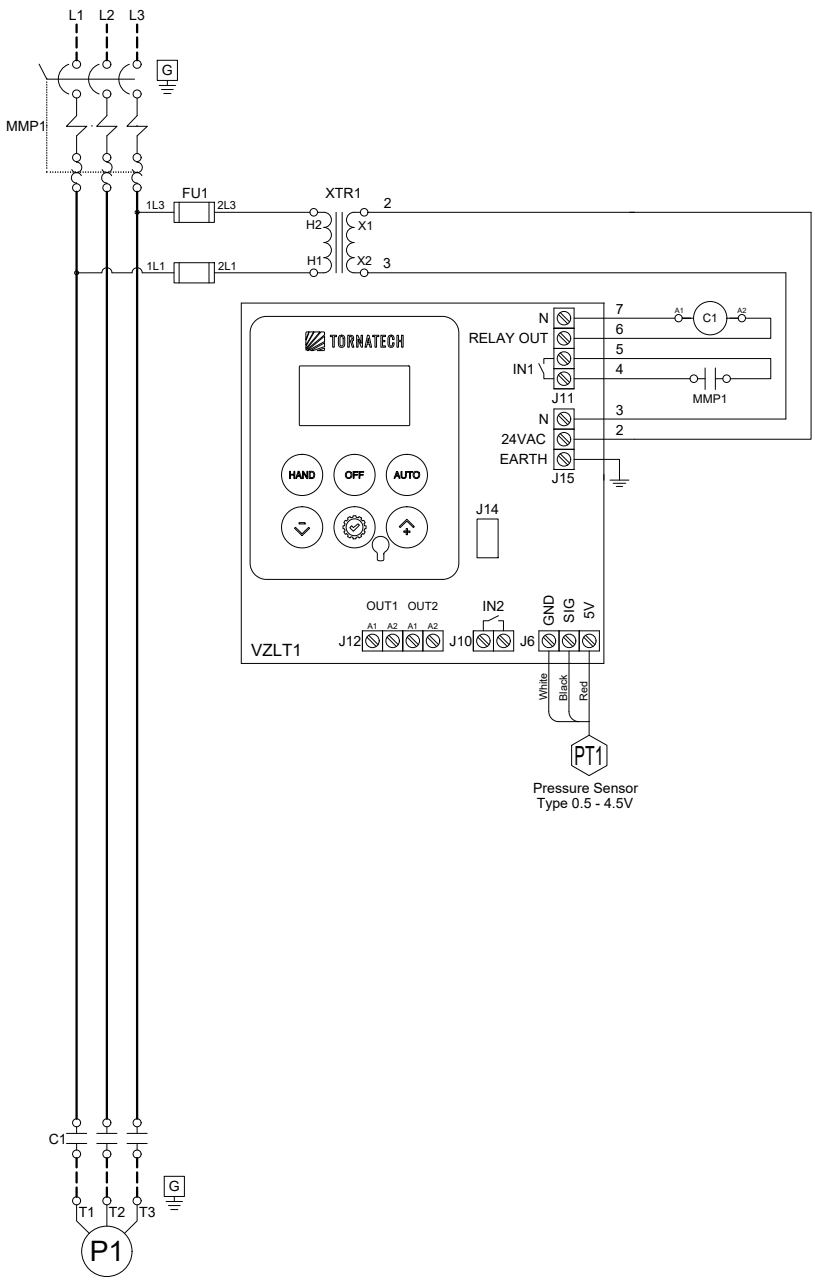
MODEL: JPLT

BUILT TO THE LATEST EDITION OF THE UL 508A



NYC
Dept of Building
Approved

DRAWING NUMBER	JPLT-WS003/E
DWG REV.	0
SHEET	1 OF 1





© Tornatech, Inc. Not for construction.
Subject to change without notice.

	BY	DD/MM/YY
DRAWN BY	ACD	15/05/23
FINAL APPROVAL	FC	15/05/23

JOCKEY PUMP CONTROLLER ACROSS THE LINE / 3 PHASES

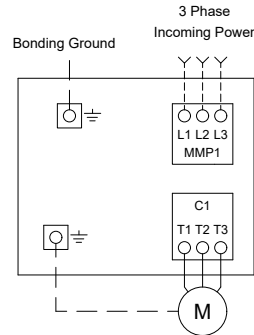
MODEL: JPLT

BUILT TO THE LATEST EDITION OF THE UL 508A



DRAWING NUMBER	JPLT-TD003/E
DWG REV.	0
SHEET	1 OF 1

Power Connections and Motor Connections



Line Terminals (L1,L2,L3,GND)

Maximum Motor Horsepower					Wire Size Copper Only	Torque	Wire Size Ground Copper Only
200-208V	220-240V	380-416V	440-480V	575-600V			
7.5HP	10HP	15HP	20HP	25HP	#14 AWG - #8 AWG	2.5 Nm	#14 AWG - #2 AWG

Motor Terminals (T1,T2,T3,GND)

Maximum Motor Horsepower					Wire Size Copper Only	Torque	Wire Size Ground Copper Only
200-208V	220-240V	380-416V	440-480V	575-600V			
3HP	4HP	5.5HP	7.5HP	10HP	#14 AWG - #10 AWG	1.7 Nm	#14 AWG - #2 AWG
7.5HP	10HP	15HP	20HP	25HP	#14 AWG - #8 AWG	2.5 Nm	#12 AWG - #2 AWG