

DE'RAN®

**INDUSTRIAL &
UTILITY
GEAR DRIVES**

PAT.PEND.



DE'RAN GEAR, INC.
A DON RANDOLPH COMPANY

Telephone 806-746-6926
Fax 806-746-6518

PRODUCT CATALOG PC-C5

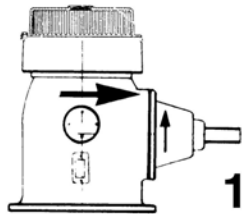
GEAR DRIVE SELECTION

THE FOLLOWING INFORMATION SHOULD BE SUPPLIED WHEN ORDERING GEAR DRIVES:

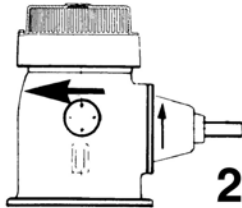
Series Number, Ratio (input to output speed), Thrust Requirements, Rotation, Horsepower Requirements, Pump Head Shaft Size. (We define the ratio as the ratio of the horizontal input RPM to the vertical output RPM.)
 EXAMPLE: A 2:3 ratio gear drive operating at 1760 RPM output would have 1173 RPM input.

ROTATION: Shown below are four possible rotations. Number 1 is considered standard. Numbers 2, 3 and 4 are special rotations and are manufactured when specifically requested.

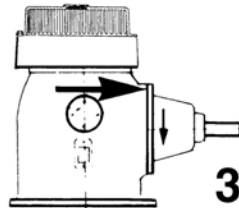
ROTATIONS



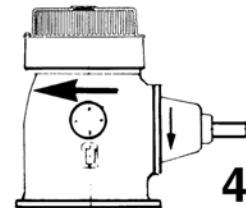
1
 HORIZONTAL - CW
 VERTICAL - CCW



2
 HORIZONTAL - CCW
 VERTICAL - CW



3
 HORIZONTAL - CW
 VERTICAL - CW

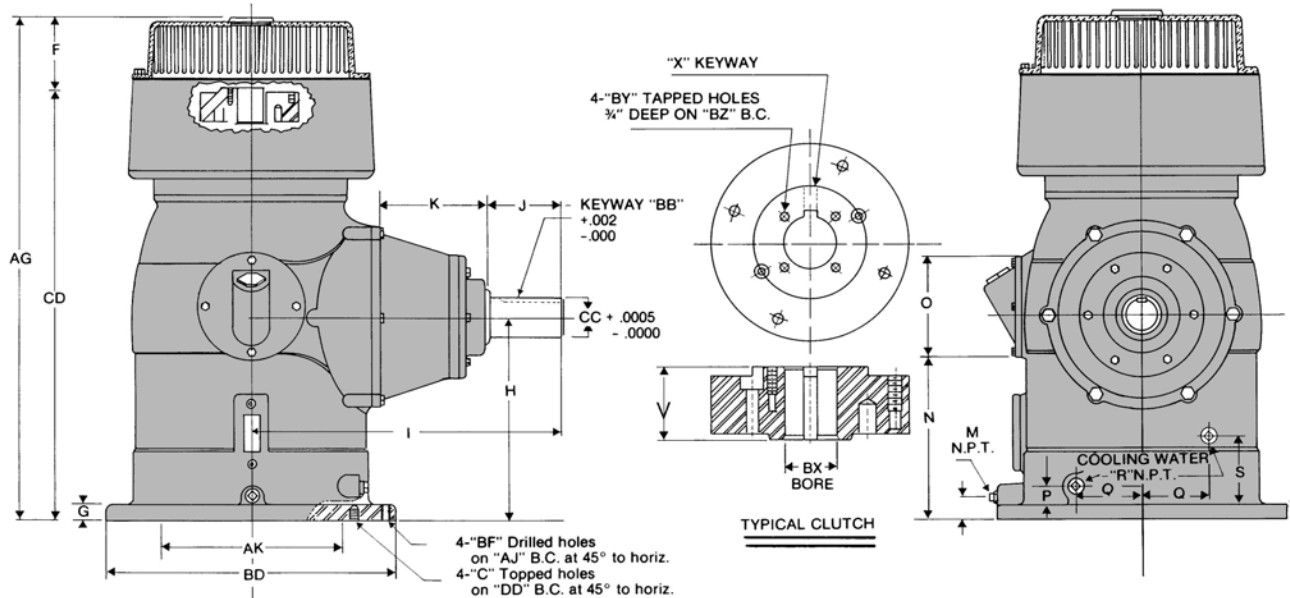


4
 HORIZONTAL - CCW
 VERTICAL - CCW

MINIMUM THRUST REQUIREMENTS

For the Following Gear Drives (No. 1 Rotation) EXCEPT THOSE WITH NO MINIMUM:										Example: Model G80, 5:6 Ratio, 72 HP, 1800 RPM Pump Speed:						
Minimum Downthrust = $\frac{\text{Constant X Horsepower}}{\text{Pump Speed}}$										$\frac{19,518 \times 72}{1800} = 781 \text{ Lbs. Min.}$						
ALL COMBINATION MOTOR STAND OR SOLID SHAFT GEAR DRIVES										NO MINIMUM DOWNTHRUST						
J20 J40H J80 J30 J60H										NO MINIMUM DOWNTHRUST						
RATIO		1:2	4:7	2:3	3:4	4:5	5:6	10:11	1:1	11:10	6:5	5:4	4:3	3:2	7:4	2:1
G40H G60H G80A	G100A G125A J150	25,643	23,390	20,486	20,434	20,381	19,518	19,589	18,462	0	17,565	17,442	17,428	15,330	13,605	13,253
G150A G200B G250A		18,636	16,386	17,424	15,558	14,502	15,224	14,907	13,130	0	0	0	0	0	528	1,074
G300A F500A G350A F590A G400A F750A G450A F1000A										NO MINIMUM DOWNTHRUST						
RATIO		2:1	5:2	3:1												
80P*		-	-	-												
200P*		1,074	2,059	3,080												
M16AH M22A M20A M26A M30A to M52A										NO MINIMUM DOWNTHRUST						

NOTE: FOR ROTATION NO'S. 2, 3, & 4 CONTACT FACTORY
 OPPOSED THRUST BEARINGS ARE AVAILABLE FOR ZERO DOWNTHRUST



DIMENSIONS FOR PRELIMINARY USE ONLY
 REQUEST CERTIFIED PRINT

TURBINE PUMP DRIVE DIMENSIONS

Contact our factory for dimensions not listed in table.

Visit our Website: www.derangear.com -or- E-mail: sales@derangear.com

MODEL	J20 J30	J40H J60H	J80	G40 H G60H	G80A	G100A	G125A J150	G150A	G200B	G250A	G300A G350A	G400A G450A	F500A	F590A	F750A	F1000A	F1200A
AG	17.37	22.12	22.12	26.62	26.62	26.62	26.62	33.88	33.88	33.88	35.62	35.62	45.12	45.12	45.12	^	^
AJ	9.12	14.75	14.75	14.75	14.75	14.75	14.75	18.25	18.25	18.25	18.25	18.25	23.00	23.00	23.00	^	^
AK +005 -000	8.251	13.501	13.501	13.501	13.501	13.501	13.501	13.501	13.501	13.501	13.501	13.501	13.501	13.501	13.501	^	^
BB +002 -000	.313	.375	.375	.375	.375	.625	.625	.625	.625	.750	.750	.750	.875	.875	.875	^	^
BD	10.00	16.50	16.50	16.50	16.50	16.50	16.50	20.00	20.00	20.00	20.00	20.00	24.50	24.50	24.50	^	^
BF	.40	.68	.68	.68	.68	.68	.68	.68	.68	.68	.68	.68	.81	.81	.81	^	^
BX max	1.001	1.251	1.251	1.501	1.501	1.501	1.501	1.938	1.938	1.938	1.938	2.189	2.939	2.939	2.939	^	^
C tap								.62-11	.62-11	.62-11	.62-11	.62-11	.62-11	.62-11			
CC +0005 -0000	1.249	1.499	1.499	1.874	1.874	2.249	2.249	2.436	2.436	2.937	2.937	2.937	3.749	3.749	3.749		
CD	14.75	18.0	18.0	22.56	22.56	22.56	22.56	29.19	29.19	29.19	31.00	31.50	40.87	40.87	40.87		
DD								14.75	14.75	14.75	14.75	14.75	14.75	14.75	14.75		
F	2.62	4.125	4.125	4.06	4.06	4.06	4.06	4.62	4.62	4.62	4.50	4.00	4.25	4.25	4.25		
G	.37	.87	.87	.87	.87	.87	.87	1.12	1.12	1.12	1.12	1.12	1.75	1.75	1.75		
H	7.25	8.5	8.5	11.43	11.43	11.43	11.43	13.75	13.75	13.75	13.75	13.75	18.0	18.0	18.0		
I	12.31	16.0	16.0	18.00	18.00	17.93	17.93	20.87	20.87	21.75	21.75	21.75	28.00	28.00	28.00		
J	2.87	4.0	4.0	4.25	4.25	4.50	4.50	4.00	4.00	4.81	4.81	4.81	6.87	6.87	6.87		
K	4.50	6.0	6.0	6.50	6.50	6.12	6.12	8.37	8.37	8.37	8.37	8.37	8.62	8.62	8.62		
L	2.00	1.50	1.50	1.50	1.50	1.50	1.50	1.75	1.75	1.75	1.75	1.75	1.00	1.00	1.37		
Mnpt	.25	.50	.50	.50	.50	.50	.50	.50	.50	.50	.50	.50	.50	.50	.50		
N	4.00	5.75	5.75	9.12	9.12	9.12	9.12	12.37	12.37	12.37	12.37	12.37	20.00	20.00	20.00		
O	2.87	5.75	5.75	5.75	5.75	5.75	5.75	5.75	5.75	5.75	5.75	5.75	7.50	7.50			
P		.75	.75	1.00	1.00	1.00	1.00	1.50	1.50	1.50	1.50	1.50	1.00	1.00	1.37		
Q		3.5	3.5	3.75	3.75	3.75	3.75	4.50	4.50	4.50	4.50	4.50	2.81	2.81	3.93		
Rnpt		.375	.375	.50	.50	.50	.50	.50	.50	.50	.50	.50	.50	.50	.50		
S		2.5	2.5	3.75	3.75	3.75	3.75	5.00	5.00	5.00	5.00	5.00	1.00	1.00	1.37		
V	1.12	2.00	2.00	2.00	2.00	2.00	2.00	2.50	2.50	2.50	2.50	3.00	4.00	4.00	4.00		
Net Wt. Lbs.	120	225	225	320	320	335	335	680	680	710	725	725	1550	1890	1900		
Domestic Wt. Lbs.	150	250	250	340	340	355	355	710	710	740	750	750	1600	1990	2090		
Export Wt. Lbs.	160	300	300	420	420	435	435	820	820	850	865	865	2005	2110	2210		
Export Cubic	2.8	7.5	7.5	9.0	9.0	9.0	9.0	17.0	17.0	17.0	17.0	17.0	47.5	47.5	47.5		
Oil Cap Qts.	1.5	5.0	5.0	7.0	7.0	7.0	7.0	13.0	13.0	13.0	13.0	13.0	24.0	24.0	24.0		